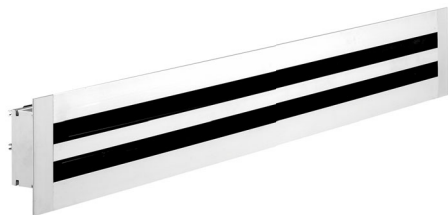


# LD600



Linear slot diffusers LD600 provide uniform air diffusion.

Individual deflection of the airflow within a 180° arc using adjustable baffles that do not change the pressure drop when altering their position.

#### MATERIAL AND FINISH

- Natural anodized aluminum
- Painted RAL 9010
- Deflectors:
  - in black PVC (STANDARD)
  - in white PVC (UPON REQUEST)

#### APPLICATION

- Airflow 1 or 2 ways horizontal or vertical
- Suitable both in supply and in aspiration
- Installation height between 2.6 and 4 m
- summer  $\Delta T$  up to -10 K

#### FASTENING

LD - LA not in sight

LF with screws in sight

Diffuser connected to the plenum by concealed screws

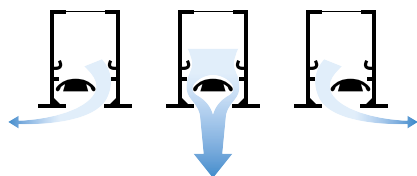
#### VERSIONS

- LD61.. diffuser with 600 to 2000 mm deflector in single element
- > 2000 mm by connecting multiple diffusers in series joined with connection plate

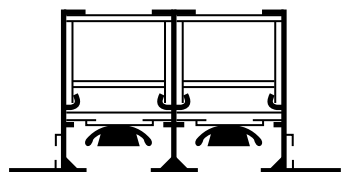
#### ACCESSORIES

- Plenum in galvanized steel sheet
  - LP12.. plenum
  - LP13.. with regulating damper
  - LP12..I internally insulated in polyethylene with th. 6 mm, **certified according to Euroclass B-s2-d0**
  - LP13..I with regulating damper internally insulated in polyethylene with th. 6 mm, **certified according to Euroclass B-s2-d0**
- External insulation (UPON REQUEST)
- Regulating damper on circular collar adjustable from the room

#### DEFLECTOR ADJUSTMENTS



#### DIFFUSER WITH DEFLECTOR



#### PRICES

Length [mm]	LD611	LD611 RAL9010	Accessories			
			LP121	LP131	LP121I	LP131I
600						
800						
1000	•	•				•
1200						
1500	•	•				•
1800						
2000						

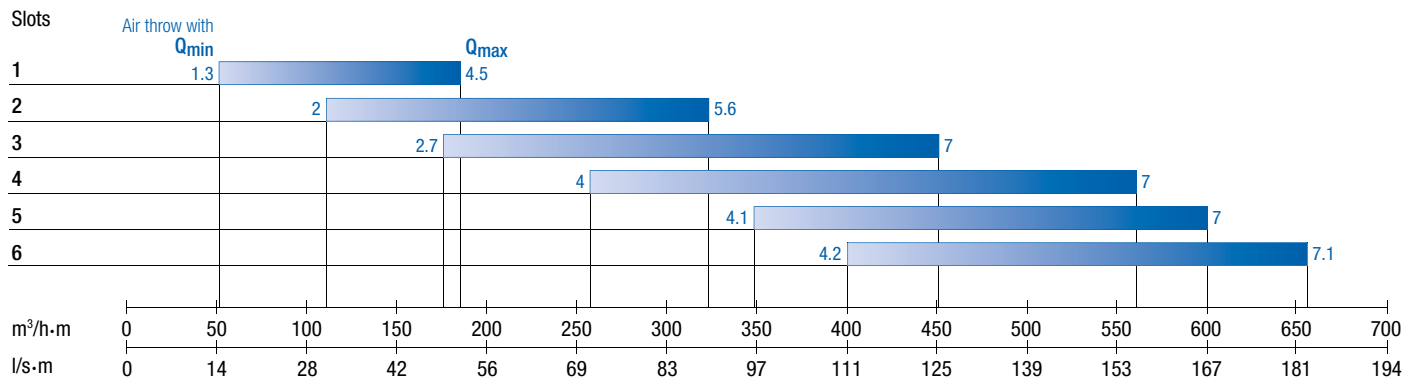
Length [mm]	LD612	LD612 RAL9010	Accessories			
			LP122	LP132	LP122I	LP132I
600						
800						
1000	•	•				•
1200						
1500	•	•				•
1800						
2000	•	•				•

- Products in stock

# LD600

## QUICK SELECTION

	Q <sub>min</sub>	Q <sub>max</sub>
Pressure drop [Pa]	< 5	< 20
Noise level L <sub>WA</sub> [dB(A)]	< 30	< 40



## PRICES

Length [mm]	LD613	LD613 RAL9010	Accessories			
			LP123	LP133	LP123I	LP133I
600						
800						
1000	•	•				•
1200						
1500	•	•				•
1800						
2000						

Length [mm]	LD614	LD614 RAL9010	Accessories			
			LP124	LP134	LP124I	LP134I
600						
800						
1000						
1200						
1500						
1800						
2000						

• Products in stock

### Collar

Supplementary	
Supplementary with regulating damper	
Oval equal to Ø ... mm	

### Terminals

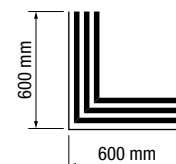
Slots Nr	Anod.alum.	RAL9010
1		•
2	•	•
3	•	•
4		

• Products in stock



### Linear corner modules

Model	Slots Nr	Anod. alum.
LD		
641 C	1	
642 C	2	
643 C	3	
644 C	4	



# LD600

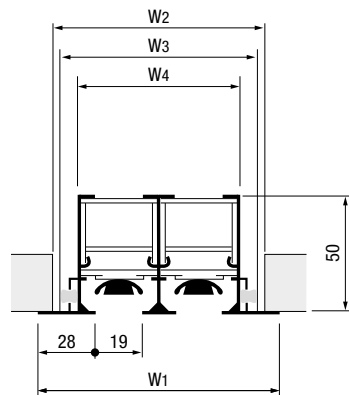
## DIMENSIONS

Widths Slot Nr	Dimensions [mm]								
	W <sub>1</sub>			W <sub>2</sub>			W <sub>3</sub>		W <sub>4</sub>
	LD - LF	LA	LD	LF	LA	LD - LF	LA	LD - LF - LA	
1	75	55	52	52	52	50	50	37	
2	111	91	88	88	88	86	86	73	
3	147	127	124	124	124	122	122	109	
4	183	163	160	160	160	158	158	145	
5	219	199	196	196	196	194	194	181	
6	255	235	232	232	232	230	230	217	

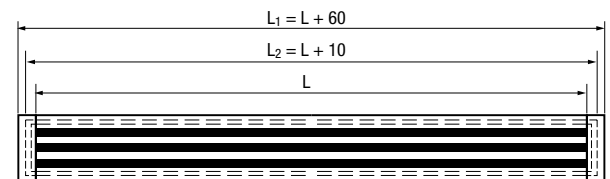
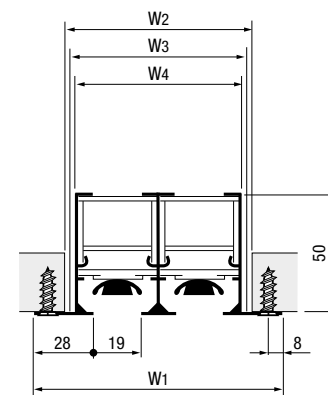
W<sub>1</sub> = overall width  
W<sub>2</sub> = ceiling opening width  
W<sub>3</sub> = duct or plenum width  
W<sub>4</sub> = internal casing width

Maximum size that can be made in a single piece = L 2000 mm

LD

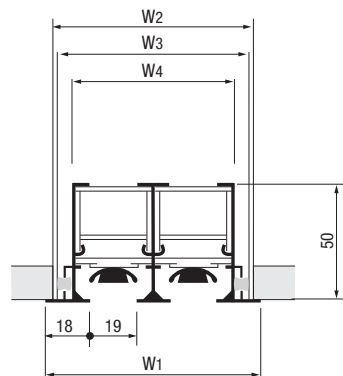


LF

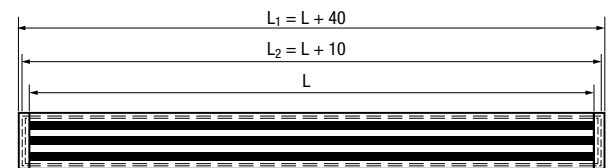


Length model LD - LF

LA



L = nominal length (slot length)  
L<sub>1</sub> = overall length  
L<sub>2</sub> = ceiling opening length (5 free mm must remain between plenum and ceiling)



Length model LA

### HOW TO ORDER

#### DIFFUSER

LA edge 18 mm, not visible  
LD edge 28 mm, not visible  
LF edge 28 mm, with visible screws

#### NR SLOTS

From 1 to 6

#### DIMENSIONS

Nominal length

LD 6 1 3 - 1000

# LD600

### ACCESSORIES

- Plenum in galvanized steel sheet
  - LP12.. plenum
  - LP13.. with regulating damper
  - LP12..I internally insulated in polyethylene with th. 6 mm, **certified according to Euroclass B-s2-d0**
  - LP13..I with regulating damper internally insulated in polyethylene with th. 6 mm, **certified according to Euroclass B-s2-d0**
- External insulation (UPON REQUEST)
- Regulating damper on circular collar adjustable from the room

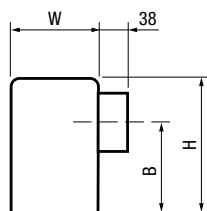
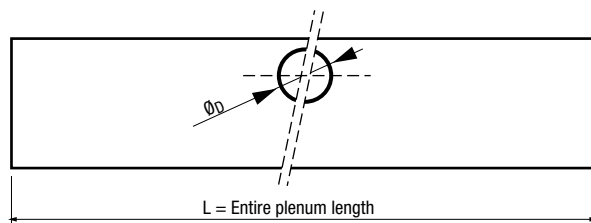
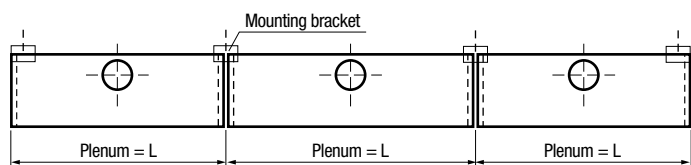
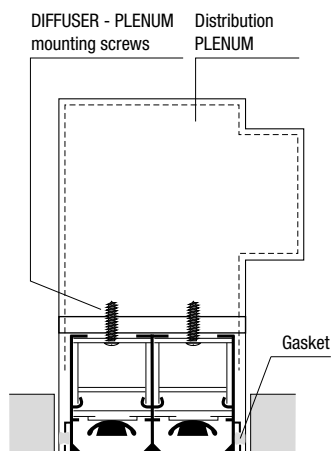
### FASTENING

LD - LA not in sight  
 LF with screws in sight  
 Diffuser connected to the plenum by concealed screws

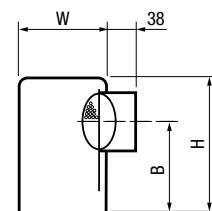
### DIMENSIONS

Diffuser length [mm]	Circular collars (included in plenum) Nr
L ≤ 1300	1
1350 ÷ 2000	2

Slots Nr	Dimensions [mm]			
	Ø D	B	H	W
1	125	127	203	50
2	160	171	257	86
3	200	192	308	122
4	200	243	356	158
5	200	290	405	194
6	225	317	455	230



**LP120**  
Plenum without regulating damper



**LP130**  
Plenum with regulating damper

### HOW TO ORDER

- PLENUM**
- REGULATING DAMPER**
  - 2 without
  - 3 with
- NR. SLOTS**
  - From 1 to 6
- INSULATION**
  - not insulated
  - I insulated
  - IE externally insulated
- DIMENSIONS**
  - Nominal length

