

# TAB



The variable throw diffusers of the TAB series provide an excellent distribution of the air, optimizing the residual speed of the air thanks to the rotation of the radial blades around the axis. The change in the inclination of the blades changes the characteristics of the air flow in the room.

**MATERIAL AND FINISH**

- TAB01 in painted galvanized steel, white RAL 9010
- TAB02 in painted aluminum, white RAL 9010
- Distribution plenum in galvanized sheet.

**APPLICATION**

- Used in both residential and industrial systems
- Installation from 2.5 to 20 m height depending on the models
- The diffusers can be assembled on the ceiling or on visible ducts
- Insulation, when required, in polyethylene with th. 6 mm, **certified according to Euroclass B-s2-d0.**

**FASTENING**

To duct or distribution plenum using screws in the rear collar of the diffuser.

**VERSIONS**

- TAB01M with manual adjustment of the blades for installation at significant heights

- TAB02M with manual adjustment of the blades for installation in rooms up to 4.5 m in height, with regulation of the central block on the vertical axis to increase or decrease the induction rate
- TAB01E with electrical adjustment (only for model TAB01)
- TAB01F with manual adjustment ready for centralized electrical adjustment (only for model TAB01)
- TAB01T with thermostatic adjustment
- TAB01P on square plate for installation in modular false ceilings.

**ACCESSORIES**

- AK connection plenum without insulation
- AKI insulated connection plenum
- BAT plenum with regulating damper and manual command for external adjustment, without insulation
- BATI insulated plenum with regulating damper and manual command for external adjustment
- EQ equalizer in perforated sheet
- BS protection grille
- S1 collar to support air diffusion without ceiling.

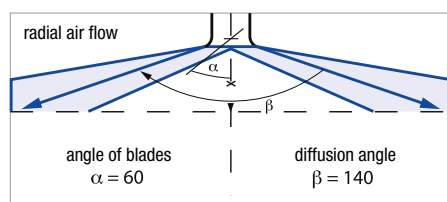
**PRICES**

| Model | TAB01M | TAB02 | TAB01E | TAB01T | Accessories |    |     |     |      |     |     |
|-------|--------|-------|--------|--------|-------------|----|-----|-----|------|-----|-----|
|       |        |       |        |        | EQ          | AK | AKI | BAT | BATI | S1  | BS  |
| 160   | ---    | •     | ---    | ---    | •           |    |     |     |      | --- | --- |
| 200   | ---    | •     | ---    | ---    | •           |    |     |     |      | --- | --- |
| 250   | •      | •     |        |        | •           |    |     |     |      | --- | --- |
| 315   | •      | ---   |        |        | •           |    |     |     |      |     |     |
| 400   | •      | ---   |        |        | •           |    |     |     |      |     |     |
| 500   | •      | ---   |        |        | •           |    |     |     |      |     |     |
| 630   | •      | ---   |        | ---    | •           |    |     |     |      |     | --- |

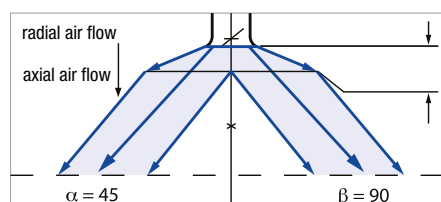
• Products in stock

**AIR FLOW CONFIGURATION BASED ON CALIBRATION ANGLE OF BLADES**

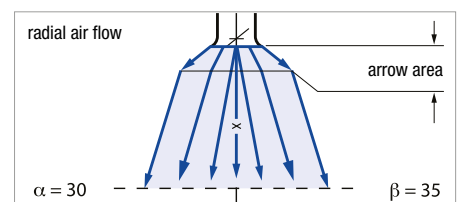
**COOLING**



**ISOTHERM**



**HEATING**

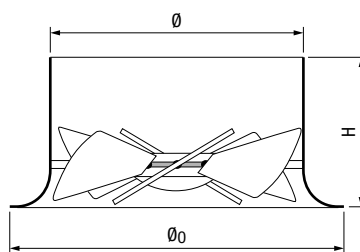


# TAB

## DIMENSIONS

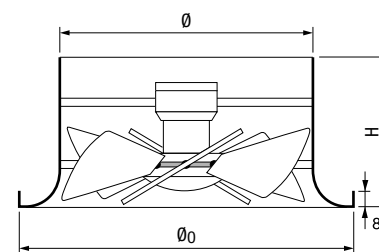
### TAB01

| Model | Dimensions [mm] |               |     |
|-------|-----------------|---------------|-----|
|       | $\emptyset$     | $\emptyset_0$ | H   |
| 250   | 253             | 330           | 140 |
| 315   | 318             | 415           | 175 |
| 400   | 403             | 526           | 223 |
| 500   | 503             | 660           | 280 |
| 630   | 633             | 830           | 355 |



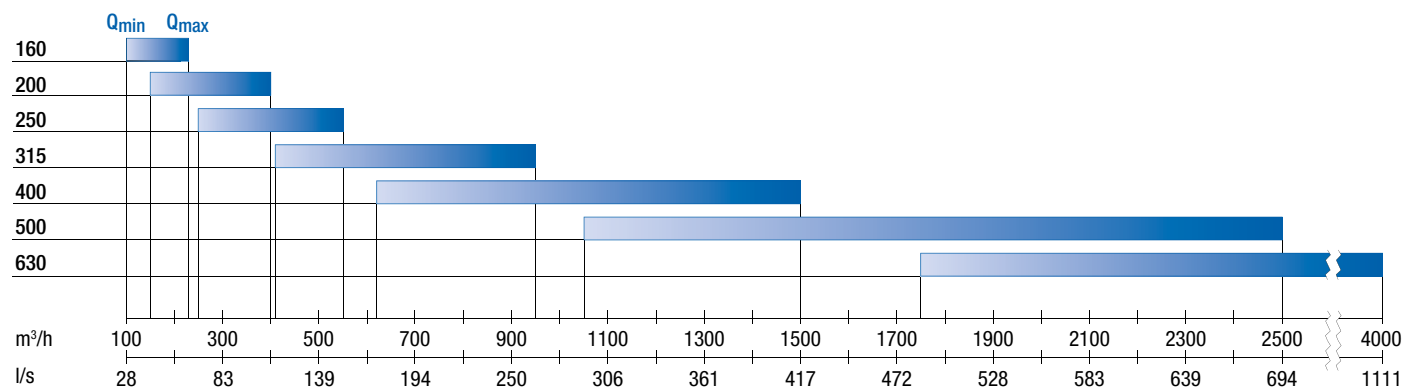
### TAB02

| Model | Dimensions [mm] |               |     |
|-------|-----------------|---------------|-----|
|       | $\emptyset$     | $\emptyset_0$ | H   |
| 160   | 157             | 220           | 95  |
| 200   | 199             | 275           | 110 |
| 250   | 253             | 345           | 130 |



## QUICK SELECTION

|                              | $Q_{min}$ | $Q_{max}$ |
|------------------------------|-----------|-----------|
| Pressure drop [Pa]           | 10        | < 30      |
| Noise level $L_{WA}$ [dB(A)] | < 20      | < 30      |

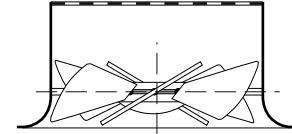


# TAB

## ACCESSORIES

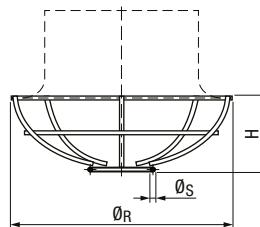
### EQ equalizer

In perforated sheet supplied separately, assembled on diffuser upon request.



### BS protection grille

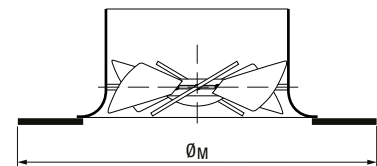
To use in rooms such as gyms, where it is necessary to protect the diffuser. (Only for mod. **TAB01**)



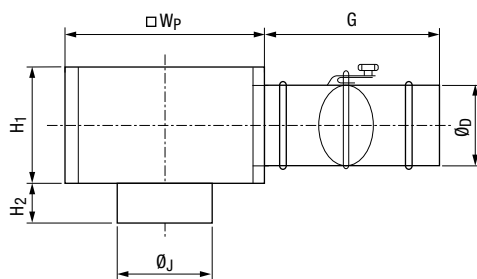
| Model | Dimensions [mm] |     |     |
|-------|-----------------|-----|-----|
|       | ØR              | ØS  | H   |
| 250   | 330             | 6   | 130 |
| 315   | 415             | 6   | 140 |
| 400   | 525             | 6/8 | 150 |
| 500   | 660             | 6/8 | 165 |
| 630   | 830             | 6/8 | 180 |

### Collar S1

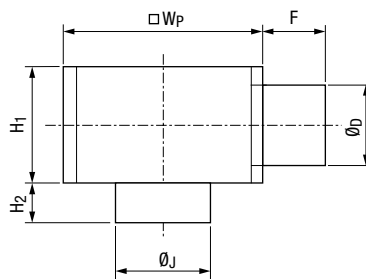
Allows a support area to be created in the initial diffusion zone, without ceiling. (Only for mod. **TAB01**)



| Model | Dimensions [mm] |
|-------|-----------------|
|       | ØM              |
| 315   | 580             |
| 400   | 750             |
| 500   | 905             |
| 630   | 1150            |



**BAT - BAT I**  
Plenums



**AK - AK I**  
Plenums

### AK - AKI plenums

AK connecting plenum (standard type): it is used when the air feeding duct is not suitable.

AKI insulated model with polyethylene with th. 6 mm, certified according to Euroclass B-s2-d0.

### BAT - BATI plenums

BAT with butterfly regulating damper and manual command for external adjustment.

BATI insulated models with polyethylene with th. 6 mm, certified according to Euroclass B-s2-d0.

| Model | Dimensions [mm] |     |     |     |     |     |     |     |
|-------|-----------------|-----|-----|-----|-----|-----|-----|-----|
|       | □Wp             | H1  | ØJ  | H2  | Ø   | ØD  | G   | F   |
| 160   | 315             | 180 | 151 | 60  | 125 | 123 | 280 | 100 |
| 200   | 350             | 220 | 193 | 100 | 160 | 158 | 280 | 100 |
| 250   | 400             | 260 | 244 | 120 | 200 | 198 | 280 | 150 |
| 315   | 480             | 310 | 312 | 120 | 250 | 248 | 280 | 150 |
| 400   | 550             | 380 | 397 | 150 | 315 | 313 | 380 | 200 |
| 500   | 650             | 460 | 497 | 190 | 400 | 398 | 380 | 200 |
| 630   | 800             | 560 | 627 | 240 | 500 | 498 | 380 | 200 |

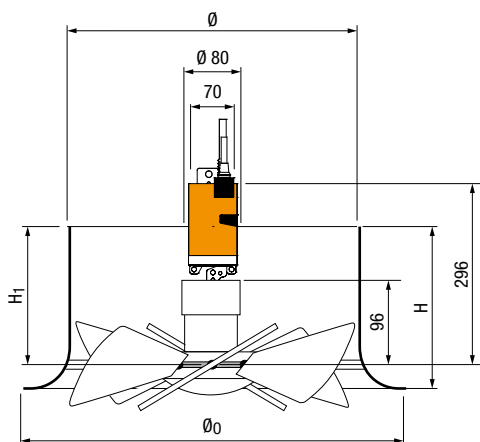
# TAB01E



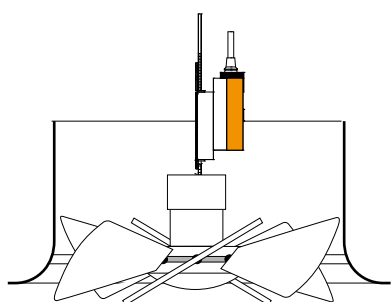
The **TAB01 E** version allows to electrically regulate the blade angle through a proportional servo motor.

This could be very important if the diffusers are mounted very high, making manual adjustment difficult.

## DIMENSIONS



TAB01E



| Model | Dimensions [mm] |                       |                                 |                   |                      |           |
|-------|-----------------|-----------------------|---------------------------------|-------------------|----------------------|-----------|
|       | H <sub>1</sub>  | connection diameter Ø | overall diameter Ø <sub>0</sub> | diffuser height H | material thickness S | weight Kg |
| 250   | 104             | 253                   | 330                             | 140               | 1.5                  | 3.2       |
| 315   | 118             | 318                   | 415                             | 175               | 1.5                  | 4.4       |
| 400   | 173             | 403                   | 526                             | 223               | 1.5                  | 6.8       |
| 500   | 206             | 503                   | 660                             | 280               | 1.5                  | 9.3       |
| 630   | 262             | 633                   | 830                             | 355               | 1.5                  | 14.2      |

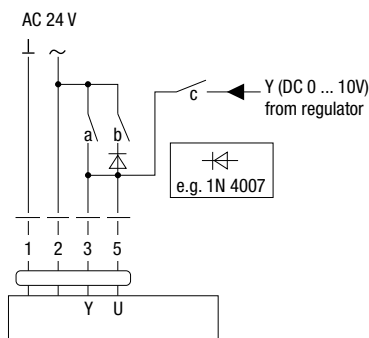
## PROPORTIONAL SERVO MOTOR BELIMO LH 24A-MF

| Functions               | a | b | c |
|-------------------------|---|---|---|
| 0%                      | — | — | — |
| 50% v (middle position) | — | — | — |
| 100% v                  | — | — | — |
| Regulation Y            | — | — | — |

Power 24 V  
 Absorbed power 2.5 Watt in motion  
 1.2 Watt in maintenance

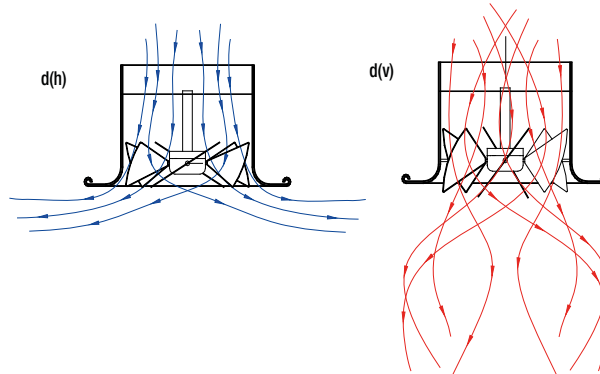
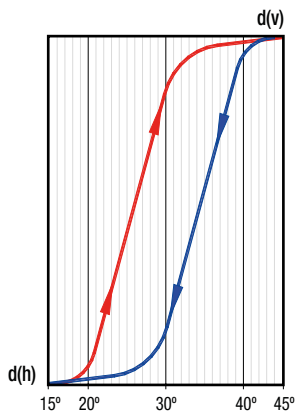


### Proportional adjustment and mandatory commands



LH 24A - MF

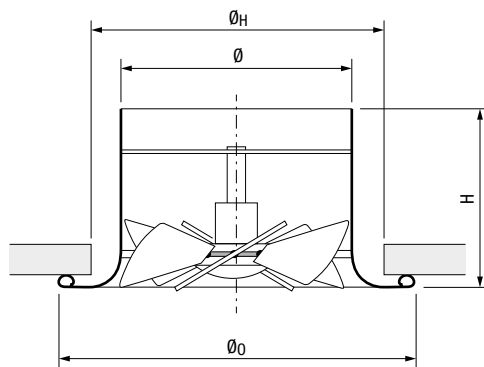
# TAB01T



The **TAB01T** version allows the blade angle to be adjusted with a thermodynamic piston.

This could be very important if the diffusers are mounted very high, making manual adjustment difficult and there is no possibility to use the electric version.

## DIMENSIONS



| Model | Dimensions [mm] |     |     |     |
|-------|-----------------|-----|-----|-----|
|       | ØD              | ØH  | H   | Ø   |
| 250   | 360             | 300 | 202 | 248 |
| 315   | 464             | 400 | 225 | 313 |
| 400   | 560             | 500 | 250 | 401 |
| 500   | 690             | 620 | 306 | 497 |

## Circular diffusers with variable throws with square plate

# TAB01P / TAB02P



## PRICES

| Model | Overall size [mm]<br>□W <sub>0</sub> | TAB01P | TAB02P |
|-------|--------------------------------------|--------|--------|
|       |                                      | 160    | 595    |
| 200   | 595                                  | ---    | ---    |
| 250   | 595                                  | ---    | ---    |
| 315   | 595                                  | ---    | ---    |
| 400   | 595                                  | ---    | ---    |

For technical features and accessories see **TAB** technical sheet

