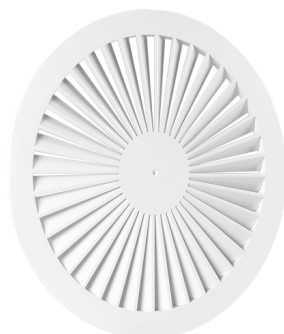


## WR400



WR400 series circular diffusers have a front plate in which a series of stamp-formed slots are inserted.

Diffusion by high induction swirl air throws with rapid temperature equalisation.

**MATERIAL AND FINISH**

- Painted steel white RAL9010
- Circular distribution plenum in galvanized sheet with perforated panel equalizer

**APPLICATION**

- Suitable for systems: VAV and CAV
- Installation height between 2.7 and 4 m
- summer  $\Delta T$  up to -10 K and winter up to +15 K

**FASTENING**

Diffuser connected to the plenum by central screw.

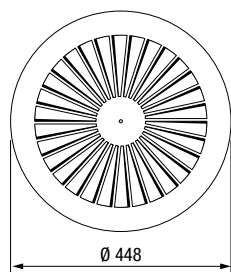
Plenum fastened to the ceiling by hanging.

**ACCESSORIES**

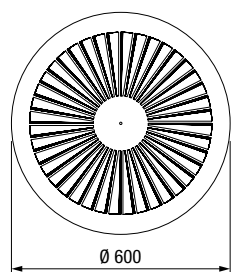
BOX-WR401S plenum with side collar and regulating damper adjustable from the room, without insulation

BOX-WR401SI plenum with side collar and regulating damper adjustable from the room, with internal insulation in polyethylene with th. 6 mm, certified according to Euroclass B-s2-d0

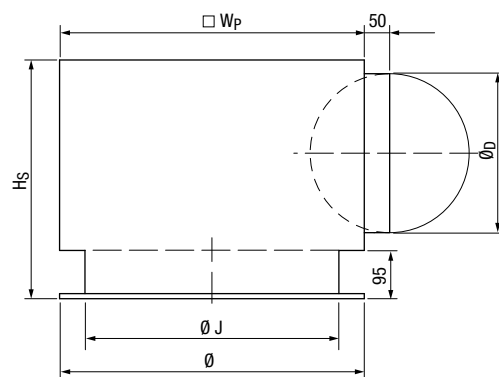
- External insulation (UPON REQUEST).



Size 200



Size 250 / 315



BOX-WR401S / BOX-WR401SI

Plenums

**PRICES**

Model	WR400	Accessories	
		BOX-WR401S	BOX-WR401SI
200	•		
250	•		
315	•		

- Products in stock

**QUICK SELECTION**

	$Q_{min}$	$Q_{max}$
Pressure drop [Pa]	10	< 30
Noise level $L_{WA}$ [dB(A)]	< 30	< 40

Size	$Q_{min}$ (m³/h)	$Q_{max}$ (m³/h)
200	1.1	2.1
250	1.2	2.5
315	1.2	2.5

Unit	200	250	315
m³/h	200	250	315
l/s	56	69	83

**ACCESSORIES**

Model	Dimensions [mm]				
	Ø	□Wp	Hs	ØD	ØJ
200	448	470	365	198	356
250	600	620	405	248	506
315	600	620	470	313	506