

WT500



WT500 circular swirl diffusers have adjustable baffles radially disposed, producing two different air throws: an internal or external vortex, or a vertical throw. The intense vortex allows a high induction with reduced throws, offering a low temperature gradient in the occupied zone.

MATERIAL AND FINISH

- Plate in painted steel, white RAL 9010
- The adjustable baffles are in black nylon
- Baffles in white (UPON REQUEST)
- Plenum in galvanized steel sheet

APPLICATION

- Suitable for systems: VAV and CAV
- Suitable for installation height between 2.7 and 4 m
- summer ΔT up to -10 K and winter up to +15 K

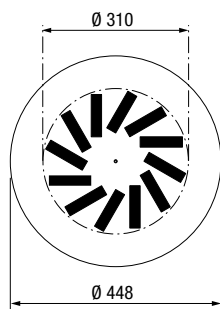
FASTENING

Diffuser connected to the plenum by central screw.

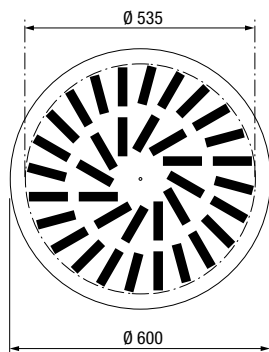
Plenum fastened to the ceiling by hanging.

ACCESSORIES

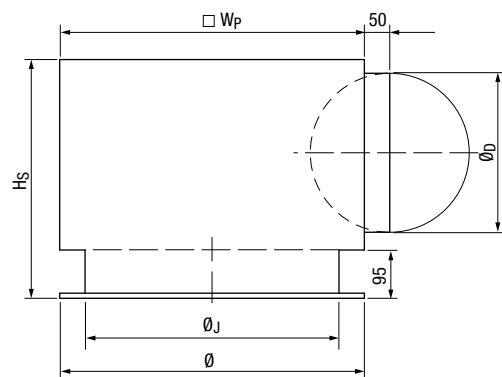
- BOX-WT501S plenum with side collar without insulation + regulating damper
- BOX-WT501SI plenum with side collar, with internal insulation in polyethylene with th. 6 mm, **certified according to Euroclass B-s2-d0** + regulating damper
- External insulation (UPON REQUEST)



WT500 size 200 mm



WT500 size 250 mm



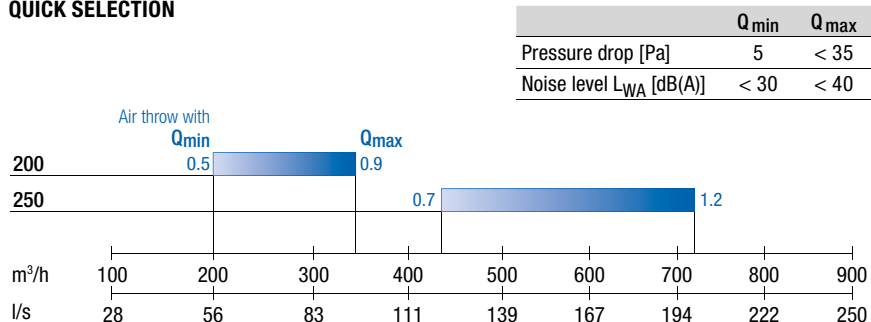
BOX WT501S - BOX WT501SI

Plenums

PRICES

Model	WT 500	Accessories	
		BOX-WT501S	BOX-WT501SI
200			
250			

QUICK SELECTION



ACCESSORIES

Model	Dimensions [mm]				
	Ø	□Wp	Hs	ØD	ØJ
200	448	470	365	198	320
250	600	620	405	248	540