

JD SHORT



JD SHORT series jet diffusers are used to distribute air in large environments where it is necessary to control the airflow direction; owing to their aerodynamic design, they guarantee high air flow rates with a high induction level and a low noise level.

MATERIAL AND FINISH

- Painted aluminum, white RAL 9010
- Felt gasket.

APPLICATION

- In large environments such as shopping centres, indoor sports facilities, cinemas, exhibition centres, airports and industrial sheds
- Suitable for wall mounting or on circular or rectangular ducts.

FASTENING

- JD150 with screws directly on rectangular duct
- JD160 with screws to the wall and fed through hose
- JD170 direct fastening on the "head" of the circular duct

VERSIONS

- JD150 installation directly on the duct
- JD151 installation directly on the duct and mounted regulating damper with screws to the wall and fed through hose
- JD160 wall installation and mounted regulating damper
- JD161 wall installation and mounted regulating damper
- JD170 installation on the terminal of the circular duct
- JD171 installation on the terminal of the circular duct and mounted regulating damper
- JD150P multi-nozzle plate for installation directly on the duct
- JD151P multi-nozzle plate for installation directly on the duct and mounted regulating dampers
- JD160P multi-nozzle plate for wall mounting and fed through flexible duct
- JD161P multi-nozzle plate with regulating damper for wall mounting and fed through flexible duct.

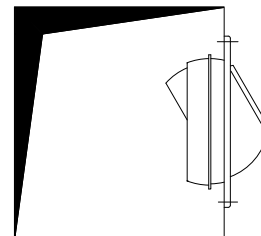
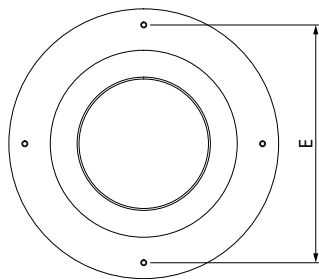
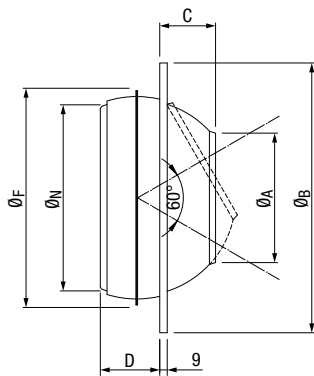
PRICES

Model	JD150	JD151	JD160	JD161	JD170	JD171
160						
200						
250						
315						
400		-		-		-

JD SHORT

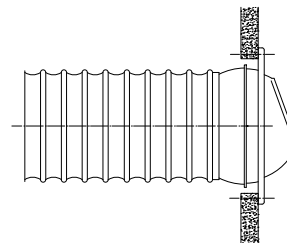
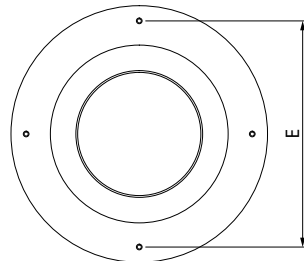
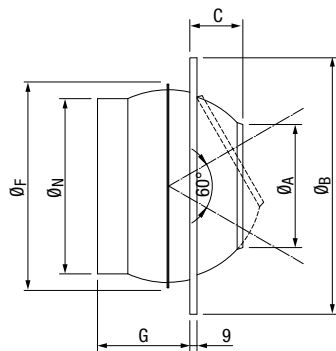
DIMENSIONS

Model	Dimensions [mm]										
	\varnothing_N	\varnothing_A	\varnothing_B	C	D	E	\varnothing_F	G	H	J	\varnothing_K
160	160	102	248	60	51	225	200	101	110	50	196
200	200	135	296	65	66	270	245	116	125	55	238
250	250	174	363	75	81	320	295	131	140	65	288
315	315	215	448	96	90	390	360	155	165	86	355
400	400	270	600	111	120	570	450	190	200	101	440



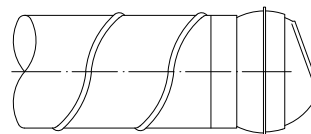
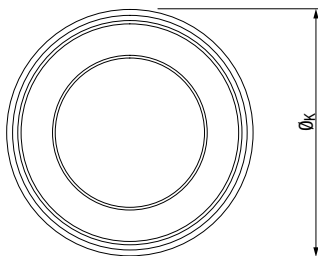
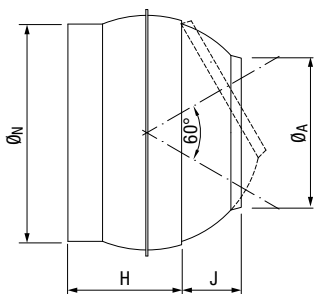
JD150

Installed directly on the ducts, in an appropriate round opening, fixing the flange with visible screws.



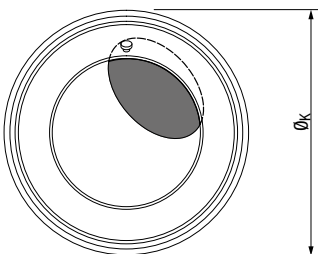
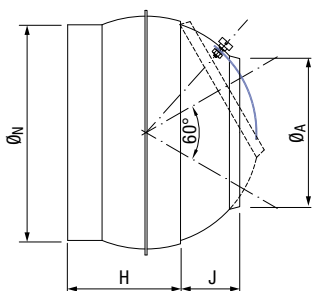
JD160

Wall-mounted, with flange and visible screws, feeding with flexible duct.



JD170

Installed directly on round duct.



JD171

Construction with regulating damper

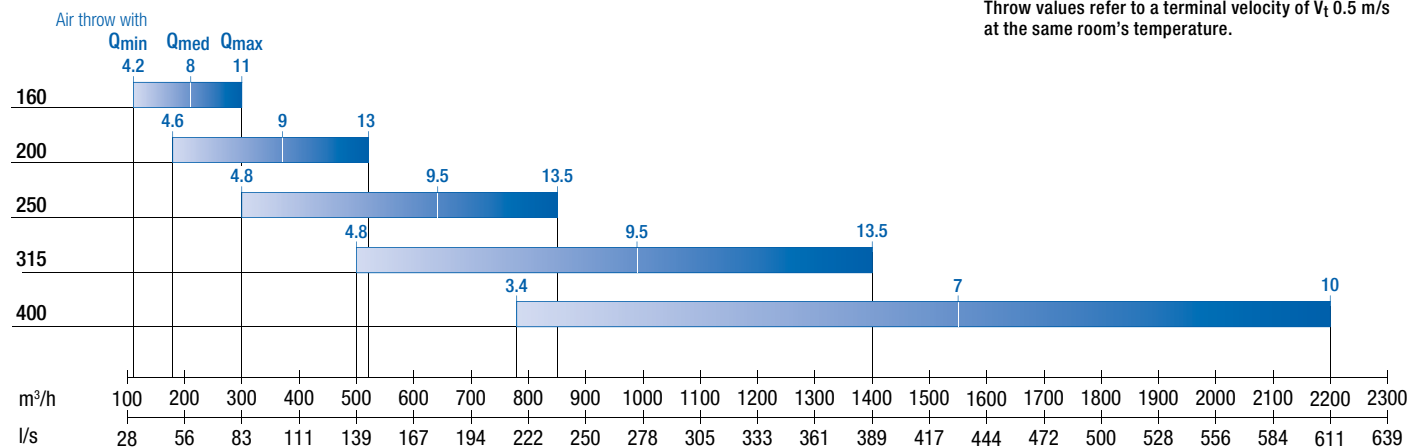
Damper available for all versions
AND NOT SEPARATELY FROM
THE DIFFUSER

JD SHORT

QUICK SELECTION

	Q _{min}	Q ₃₅	Q _{max}
Pressure drop [Pa]	10	40	80
Noise level L _{WA} [dB(A)]	< 20	< 20	< 25

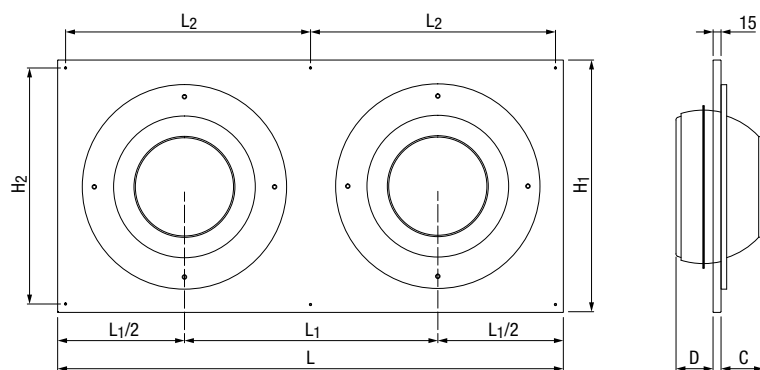
Throw values refer to a terminal velocity of V_t 0.5 m/s at the same room's temperature.



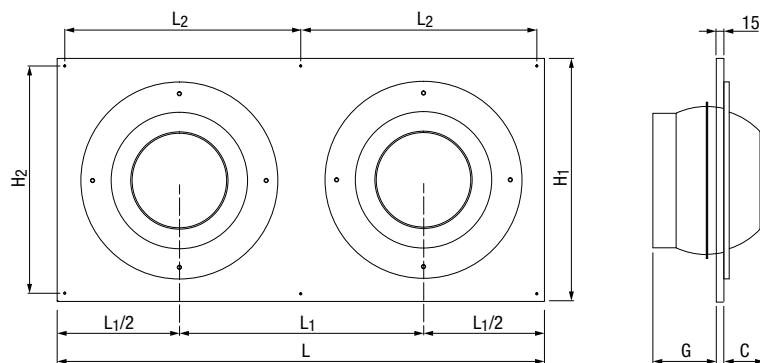
JD SHORT

DIMENSIONS

Model	Dimensions [mm]										
	C	D	G	H ₁	H ₂	2 NOZZLES			3 NOZZLES		
						L	L ₁	L ₂	L	L ₁	L ₂
160	60	51	86	350	320	700	350	335	1050	350	340
200	65	66	101	400	370	800	400	385	1200	400	390
250	75	81	116	450	420	900	450	435	1350	450	440
315	96	90	140	520	490	1040	520	505	1560	520	510
400	111	120	175	625	595	1250	625	610	1875	625	615



JD150P



JD160P