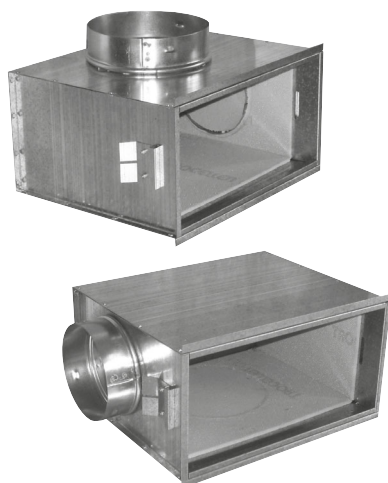


BPI

AIR DIFFUSION



The BPI series plenums are designed to make the connection between air inlet/outlet components and the supply ducts. It is an innovative product because it is suitable for multiple connections in three positions: on the side, on the top and on the back.

MATERIAL AND FINISH

- Plenum in galvanized steel sheet
- Plenum internally insulated in polyethylene with th. 6 mm, **certified according to Euroclass B-s2-d0**.

FASTENING

Remove one or more pre-bored circular covers with scissors.
Plug the relevant connection until complete locking.

On the longer sides of the plenum a special frame for wall alignment is present.

NOTE: in the case of masonry on unfinished wall, count the thickness of the finish in order to make proper alignment.

The plenums are supplied complete with hangers so positioning on the infill wall is easier. The back and side collars are not to be installed with reductions.

The below mentioned plenums can be used with the D series mounting clips and with the E series fixing with hidden screws.

ACCESSORIES

The standard plenum is supplied without collars, available upon request (thickness 50 mm) at the moment of the order.

BPIC circular collar.

PRICES

Model	BPI €
200 x 100	•
300 x 100	•
400 x 100	•
500 x 100	
600 x 100	
700 x 100	
800 x 100	
900 x 100	
1000 x 100	
200 x 150	
300 x 150	•
400 x 150	•
500 x 150	•
600 x 150	•
700 x 150	
800 x 150	
900 x 150	
1000 x 150	

Model	BPI €
200 x 200	
300 x 200	
400 x 200	•
500 x 200	•
600 x 200	•
700 x 200	
800 x 200	
900 x 200	
1000 x 200	
300 x 300	
400 x 300	•
500 x 300	•
600 x 300	•
700 x 300	
800 x 300	
900 x 300	
1000 x 300	

Model	BPI €
400 x 400	
500 x 400	
600 x 400	
700 x 400	
800 x 400	
900 x 400	
1000 x 400	
500 x 500	
600 x 500	
700 x 500	
800 x 500	
900 x 500	
1000 x 500	

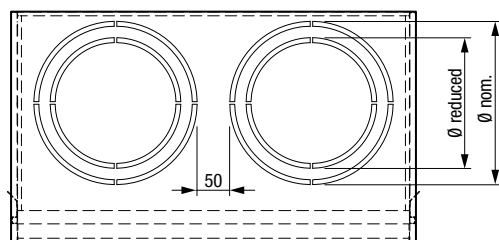
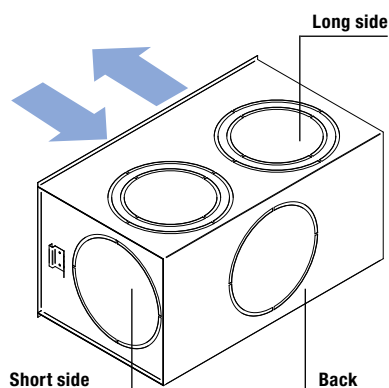
- Products in stock

Model Ø	BPIC €
80	•
125	•
160	•
200	•
250	•
315	
355	
400	

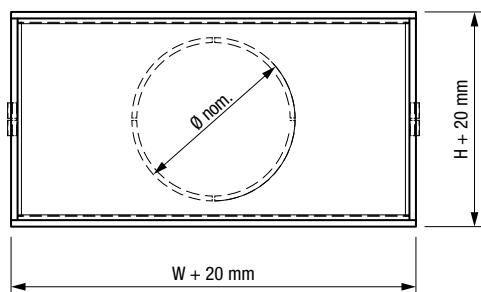
**BPIC CIRCULAR COLLAR NOT INCLUDED
IN THE PLENUM TO BE ORDERED
SEPARATELY**

BPI

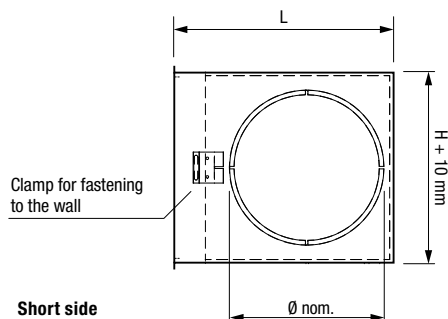
DIMENSIONS



Long side



Back view



Short side

BPI plenum - Holes configuration

Dimensions [mm]			COLLAR						
W	H	L	Long side (W)			Back		Short side (L)	
			conn. Nr	Ø nom. [mm]	Ø reduced [mm]	conn. Nr	Ø nom. [mm]	Right Ø	Left Ø
200	100	265	1	160		1	80	80	
300	100	265	1	160		1	80	80	
400	100	265	1	160		2	80	80	80
500	100	265	2	160		2	80	80	80
600	100	265	2	160					
700	100	265	2	160					
800	100	265	2	160					
900	100	265	3	160					
1000	100	265	3	160					
200	150	265	1	160		1	125	125	
300	150	265	1	160		1	125	125	
400	150	265	1	160		1	125	125	125
500	150	265	2	160		1	125	125	125
600	150	265	2	160		2	125	125	125
700	150	265	2	160		2	125		
800	150	265	2	160		3	125		
900	150	265	3	160		3	125		
1000	150	265	3	160		3	125		
200	200	305	1	200	160	1	160	160	
300	200	305	1	200	160	1	160	160	
400	200	305	1	200	160	1	160	160	160
500	200	305	2	200	160	1	160	160	160
600	200	305	2	200	160	2	160	160	160
700	200	305	2	200	160	2	160		
800	200	305	2	200	160	3	160		
900	200	305	3	200	160	3	160		
1000	200	305	3	200	160	3	160		
300	300	355	1	250	200	1	250	250	
400	300	355	1	250	200	1	250	250	
500	300	355	2	250	200	1	250	250	250
600	300	355	2	250	200	1	250	250	250
700	300	355	2	250	200	2	250	250	
800	300	355	2	250	200	2	250		
900	300	355	3	250	200	2	250		
1000	300	355	3	250	200	3	250		
400	400	420	1	315	250	1	355	315	
500	400	420	2	315	250	1	355	315	315
600	400	420	2	315	250	1	355	315	315
700	400	420	2	315	250	1	355		
800	400	420	2	315	250	2	355		
900	400	420	3	315	250	2	355		
1000	400	420	3	315	250	2	355		
500	500	420	2	315	250	1	400	400	
600	500	420	2	315	250	1	400	400	
700	500	420	2	315	250	1	400		
800	500	420	2	315	250	1	400		
900	500	420	3	315	250	2	400		
1000	500	420	3	315	250	2	400		