

Comfort

RSVCD
Circular sealed dampers



SagiCofim
Ecoefficiency for Indoor Air Quality



RSVCD



Execution

- Casing made of calendered, electro-welded, galvanized Z 200 steel
- Reinforced edges with silicone sealing gaskets
- Blade with reinforced edge and silicone seal
- Interception sealing C4 EN ISO 1751 class
- Available on request with other implementation systems and/or construction materials



Motorized versions series LM-A TP 5 Nm / 90° / 35 sec

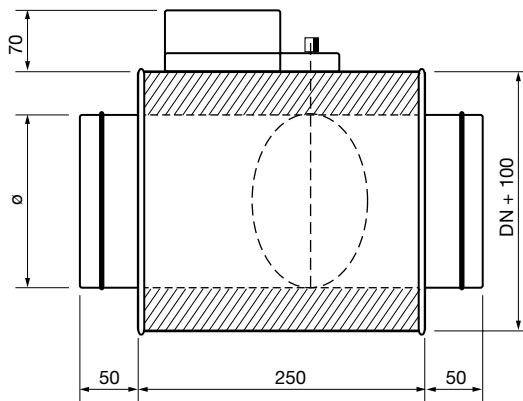
RSVCD50	230 V AC, On-Off control / 3 pts, 1 adjustable auxiliary contact
RSVCD51	230 V AC, On-Off control / 3 pts
RSVCD52	24 V AC-DC, On-Off control / 3 pts, 1 adjustable auxiliary contact
RSVCD53	24 V AC-DC, On-Off control / 3 pts
RSVCD54	24 V AC-DC, control 2...10 V, feedback 2...10V

The RSVCD series circular seal dampers can be used for the functions of air flow interception and calibration in HVAC systems. A predefined set of actuators enhances the possibilities of use and performance.

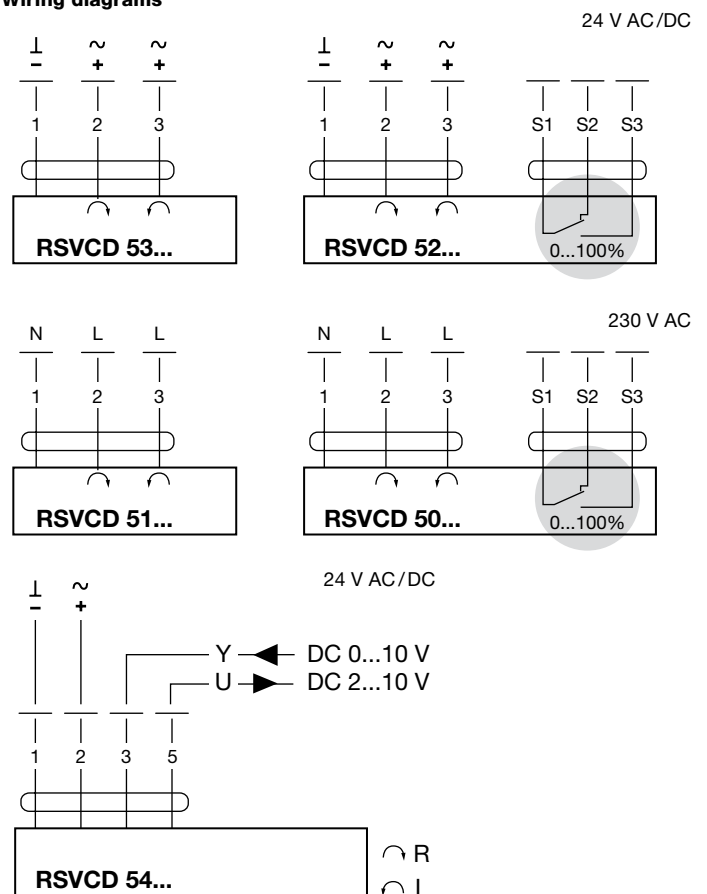
Insulated version

Containment casing made of galvanized steel and thermo-acoustic insulation in extra thick fibreglass 50 mm 30 kg/m³

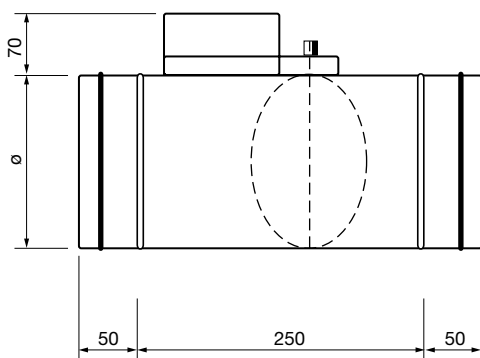
RSVCD I1 (isolated)



Wiring diagrams



RSVCD N1 (base)



Dimensions and sizes

DN ø (mm)	Size	Ø (mm)	DN ø (mm)	Size	Ø (mm)
125	12	123	250	25	248
160	16	158	315	31	313
200	20	198	400	40	398

Order example

RSVCD 51 20 N1=
ON-Off damper / 3 pts, 230 V AC, DN 200, Base, Galvanized steel

SagiCofim spa

Comfort Filtration Engineering
 via Firenze 1
 20063 Cernusco sul Naviglio
 Milan Italy
 tel +39 02 929021 a.s.
 fax +39 02 92902300
 info@sagicofim.com
 www.sagicofim.com



Sagicofim S.p.A. reserves the right to make modifications or changes at any time without prior notice concerning the indications in this publication.