

Comfort

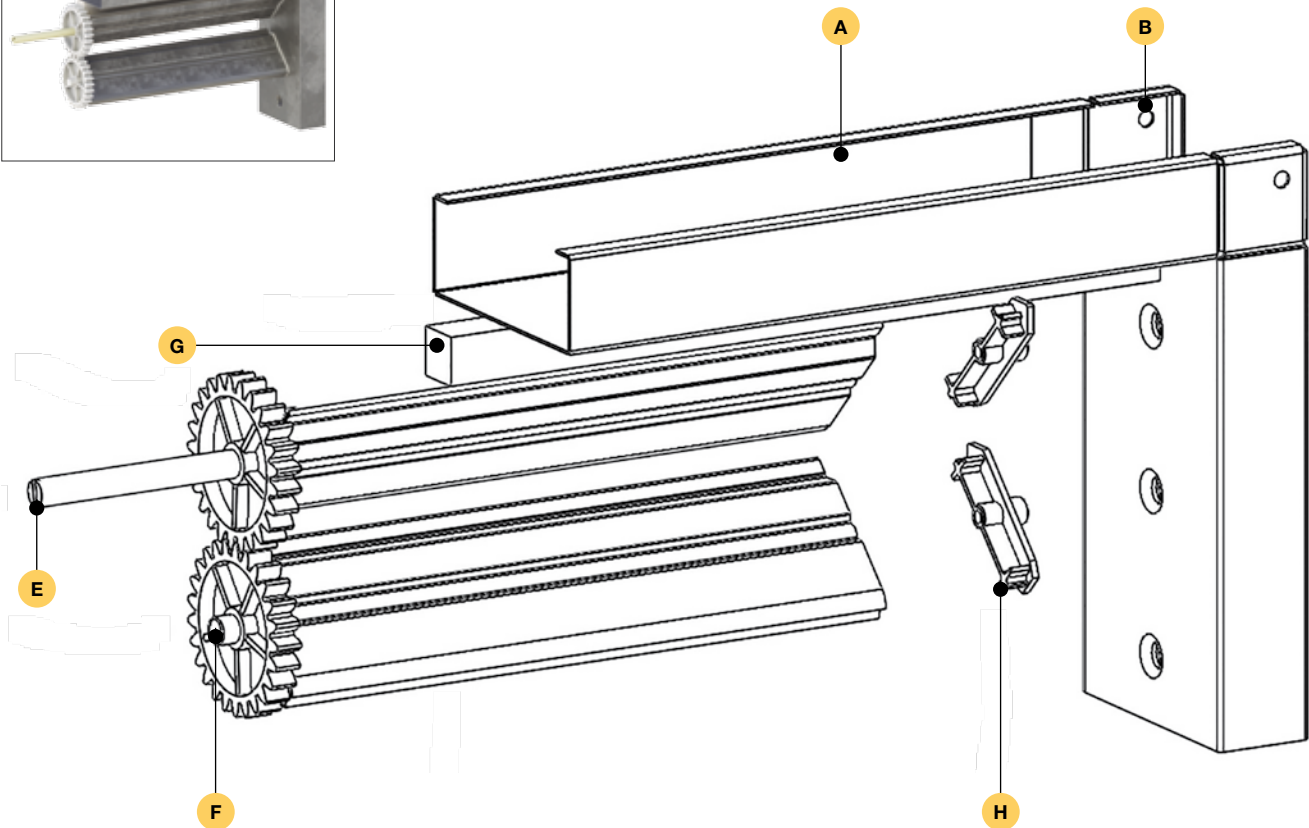
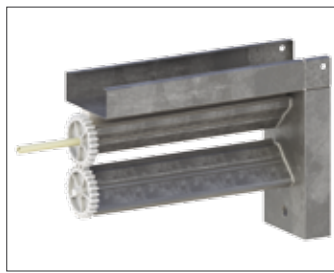
GT 050
Adjusting damper 50 pitch



SagiCofim
Ecoefficiency for Indoor Air Quality



GT 050



Use range of the damper: in ATEX version $-20^{\circ}\text{C} \leq t \leq +50^{\circ}\text{C}$ - $V_{\text{max}} 5 \text{ m/s}$ - $P_{\text{max}} 500 \text{ Pa}$
 in SAFE area $-20^{\circ}\text{C} \leq t \leq +70^{\circ}\text{C}$ - $V_{\text{max}} 10 \text{ m/s}$ - $P_{\text{max}} 500 \text{ Pa}$

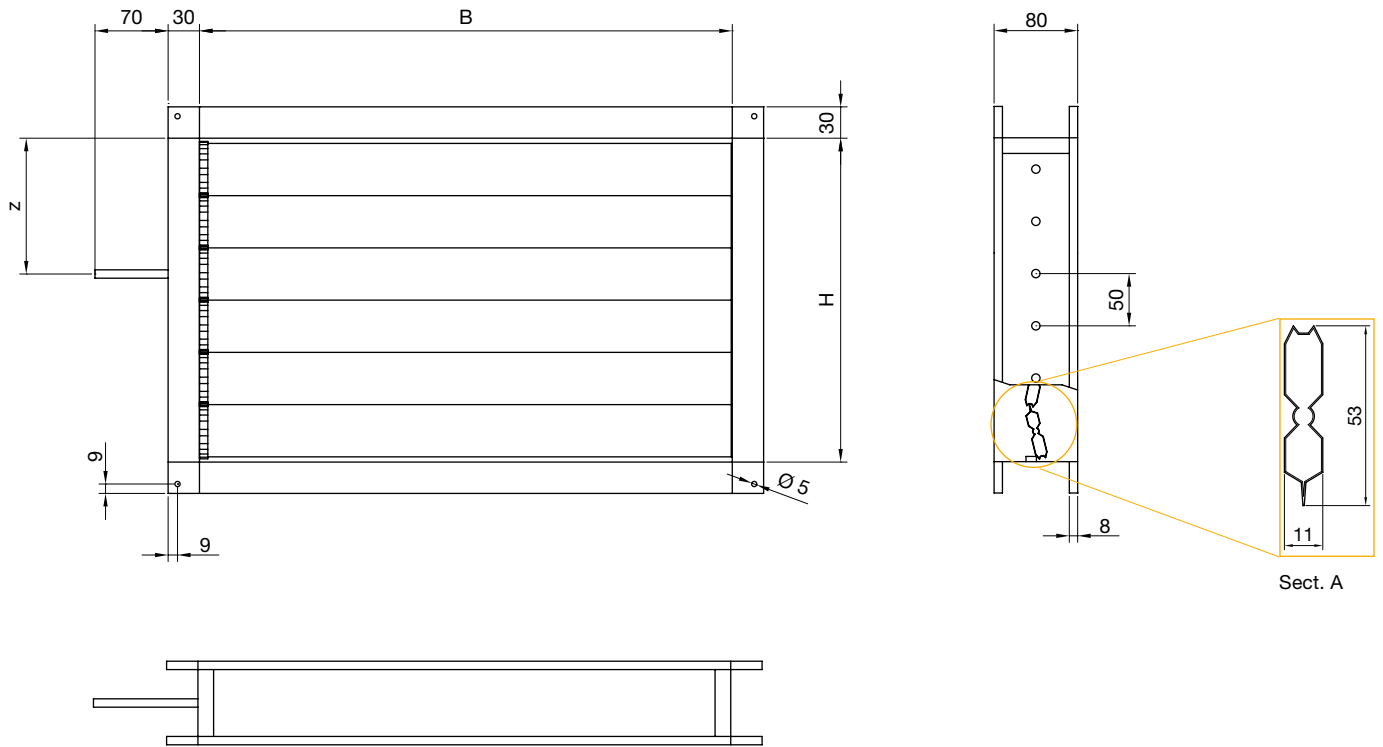
Specific features of the product			
STANDARD version			
Part	Construction	Description	Thick. (mm)
A Frame	Galvanized metal sheet Z 140	4 pieces welded - Flange 30	0,8
B Corners	Galvanized metal sheet Z 140	With mounting holes. Points on frame	0,8
C Blades	Galvanized metal sheet Z 100	Opposite movement	0,4 + 0,4
D Internal gears	HOSTAFORM C13 031/ULTRAFORM S2320	Inside the air passage, inserted in blades end	
E Drive shaft	Galvanized steel	Points on blade	Ø 8
F Shafts	HOSTAFORM C13 031/ULTRAFORM S2320	Inserted in blades end	
G Stops	PRSA CLASS 1		12
H Blade support	HOSTAFORM C13 031/ULTRAFORM S2320	Inserted in blades end	

Note: in the ATEX version, the damper is equipped with a specific label and earthing cable.
 To establish the actual use range, check the data in the technical data sheet for the combined motors.

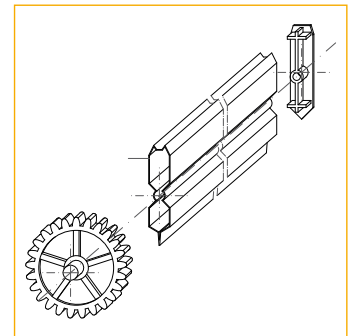
GT 050

Dimensional

Measurements are in (mm)



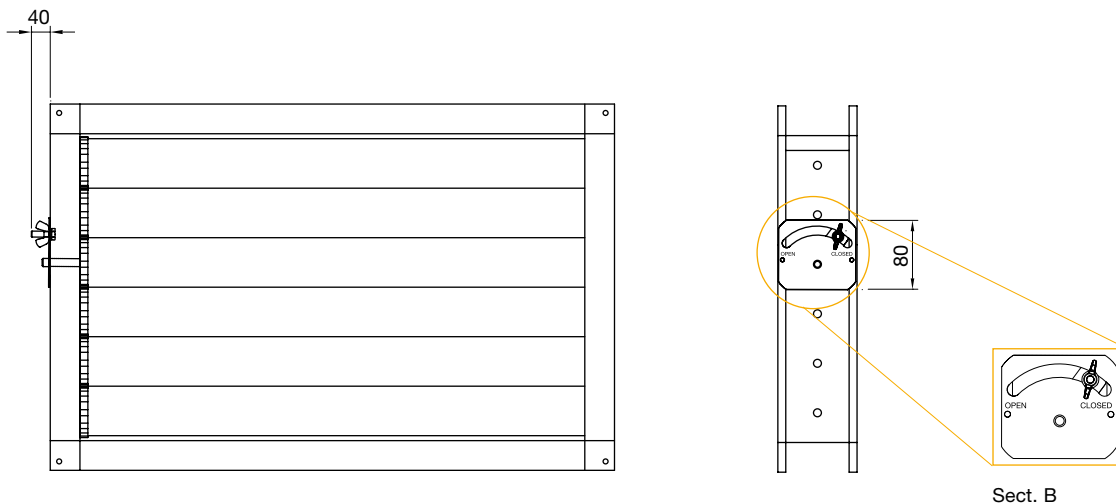
Tab.1		Tab.2		
B (mm)	H (mm)	N° blades	Z (mm)	
110	110	2	30	
160	160	3	30	
210	210	4	130	
260	260	5	130	
310	310	6	130	
360	360	7	130	
410	410	8	230	
460	460	9	230	
510	510	10	230	
560	560	11	230	
610	610	12	330	
660	660	13	330	
710	710	14	330	



GT 050

Manual commands

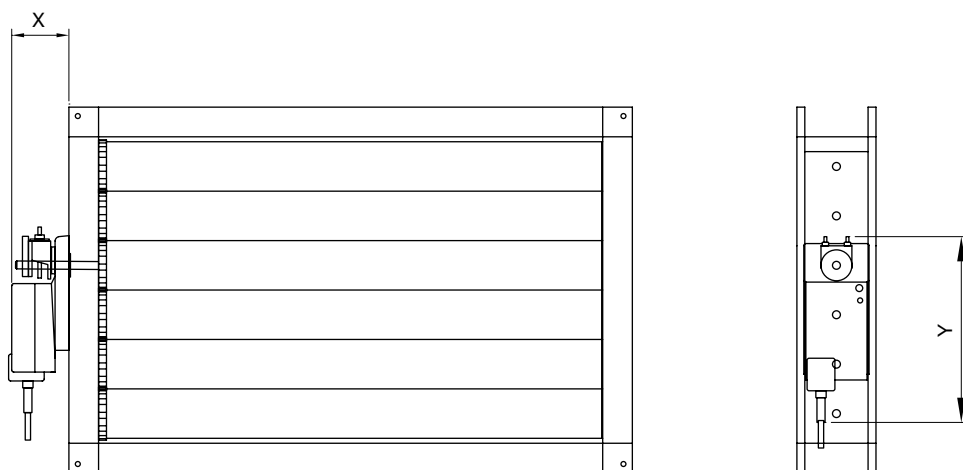
Measurements are in (mm)



C 19 For whole dimensional range

- The manual command is equipped with a lever locking mechanism in the requested position.

Automated version



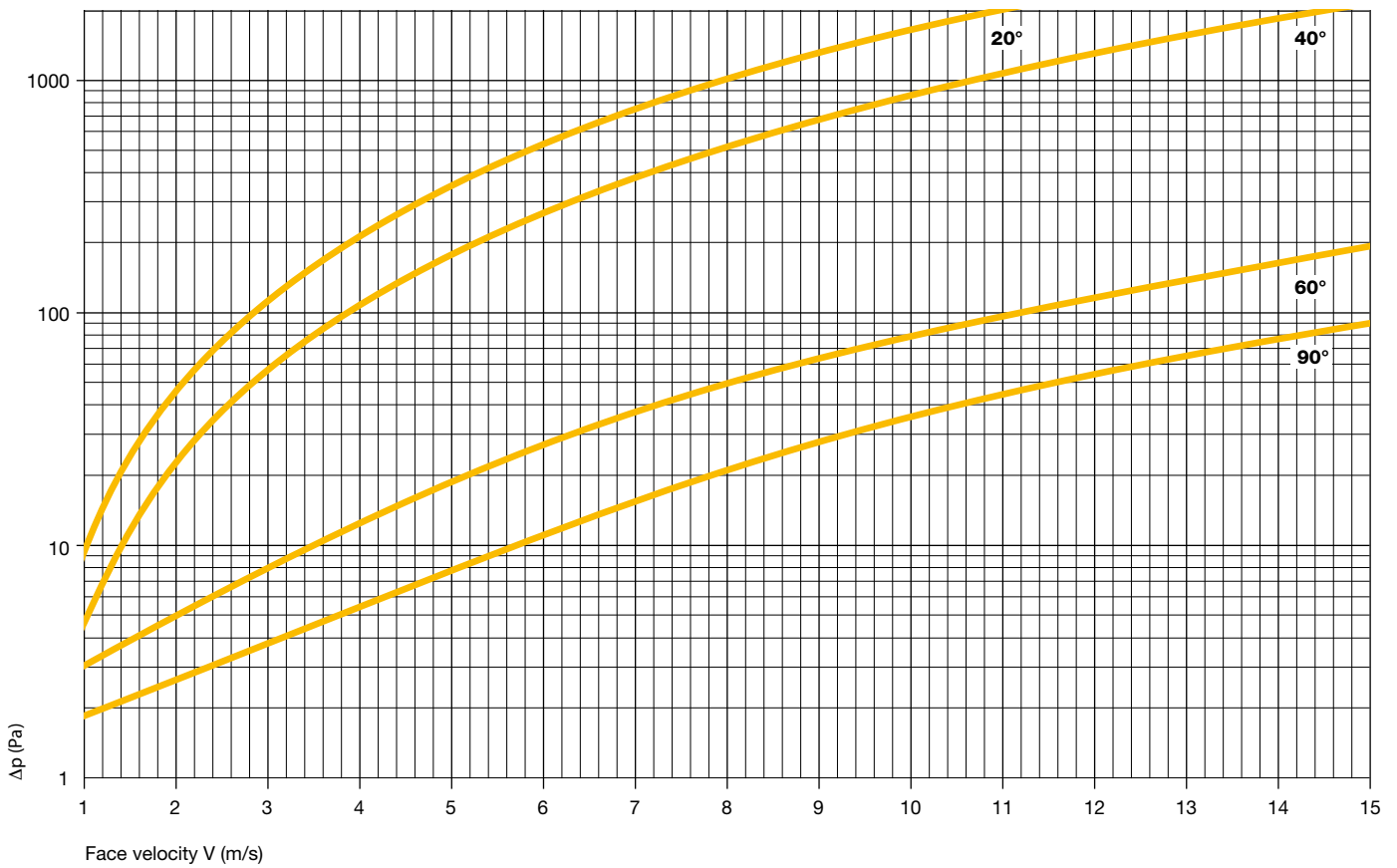
- The damper can be equipped with electric motors for the Safe area and the ATEX area, both on/off and modular and with spring return.

- The maximum dimensions of the motor without accessories are:
 BELIMO: X = 80 mm; Y = 250 mm
 SCHISCHEK: X = 100 mm; Y = 210 mm

- **ON REQUEST**
 Motors assembled inside the air flow.

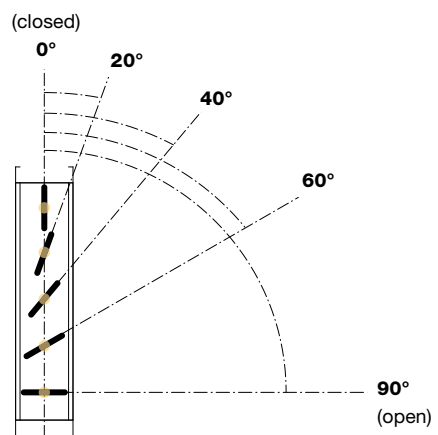
GT 050

Diagram 1 - Pressure drop and sound power level



Pressure drop referring to sample 710 x 710 mm

V (m/s)	Degrees of damper opening			
	90°	60°	40°	20°
1	2	3	5	10
3	3	9	61	122
6	12	28	260	520
9	26	63	650	1300
12	57	117	1350	2700
15	90	1080	2400	



GT 050

Tab. 3 Maximum torque (Nm)

H (mm)	B (mm)										
	210	260	310	360	410	460	510	560	610	660	710
110	1	1	1	1	1	1	1	1	1	1	1
160	1	1	1	1	1	1	1	1	1	1	1
210	1	1	1	1	1	1	1	1	1	1	1
260	1	1	1	1	1	1	1	1	1	1	1
310	1	1	1	1	1	1	1	1	1	1	1
360	1	1	1	1	1	1	1	1	1	1	1
410	1	1	1	1	1	1	1	1	1	1	1
460	1	1	1	1	1	1	1	1	1	1	1
510	2	2	2	2	2	2	2	2	2	2	2
560	2	2	2	2	2	2	2	2	2	2	2
610	2	2	2	2	2	2	2	2	2	2	2
660	2	2	2	2	2	2	2	2	2	2	2
710	2	2	2	2	2	2	2	2	2	2	2

NOTE: The torque values, outlined in the table, are intended for correct movement and total closure of the damper.

For the dimensions not outlined in the table, refer to the torque values of the immediately larger size.

Tab. 4 Dimensions and weights for single section structure*

H (mm)	B (mm)										
	210	260	310	360	410	460	510	560	610	660	710
110	1	1	1	2	2	2	2	2	2	2	2
160	1	1	2	2	2	2	2	2	3	3	3
210	1	2	2	2	2	2	3	3	3	3	3
260	2	2	2	2	2	3	3	3	3	3	4
310	2	2	2	3	3	3	3	3	4	4	4
360	2	2	3	3	3	3	3	4	4	4	4
410	2	3	3	3	3	4	4	4	4	5	5
460	3	3	3	3	4	4	4	4	5	5	5
510	3	3	3	4	4	4	4	5	5	5	6
560	3	3	4	4	4	4	5	5	5	6	6
610	3	3	4	4	4	5	5	5	6	6	6
660	3	4	4	4	5	5	5	6	6	6	7
710	4	4	4	5	5	5	6	6	6	7	7

Weights (kg)

* Weights refer to dampers only without commands or motors

GT 050

Motor selection guide

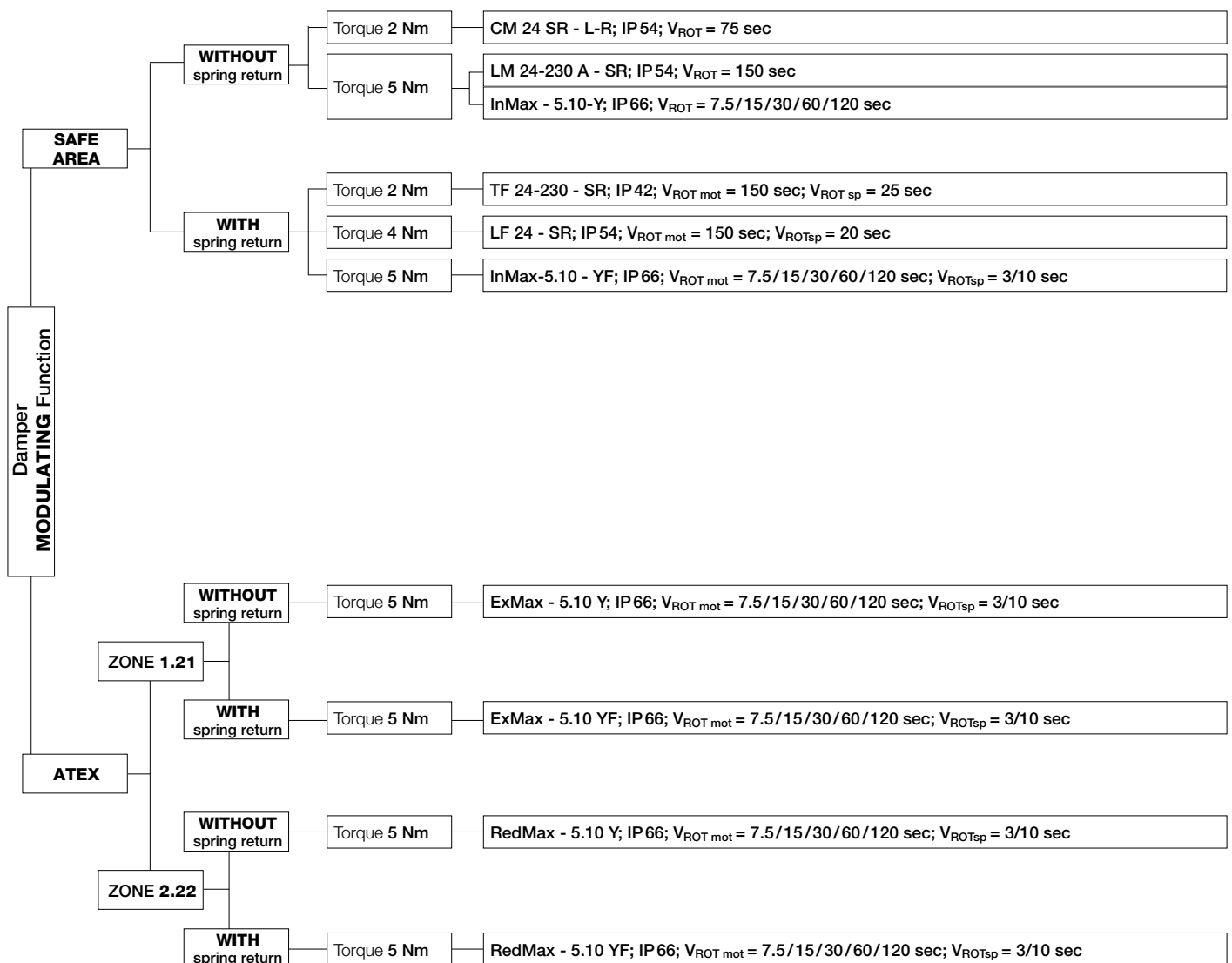
The values, outlined, of the motor torque are nominal values

(i.e. the minimum guaranteed value in all use conditions according to the technical data sheet of the motor).

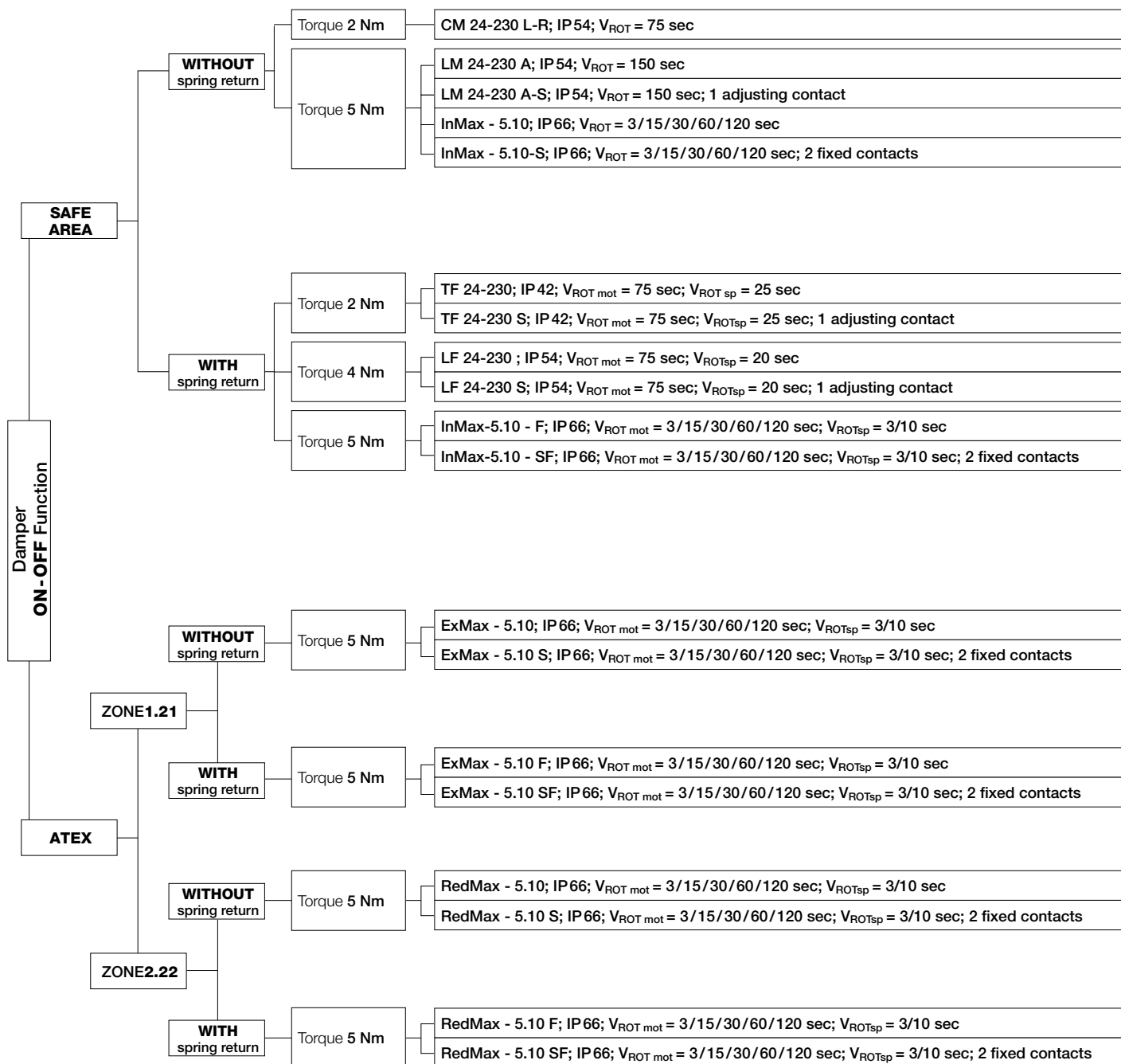
In light operating conditions:

$v < 2 \text{ m/s}$, $t \text{ } 15 < t < 30 \text{ }^\circ\text{C}$, $p < 300 \text{ Pa}$

a motor can be combined with the damper with a nominal torque 20% lower than the maximum torque required by the damper (see tab. 3).



GT 050



GT 050

Assembly applications

- Fastening to duct using M4 bolts.
- Seal between the damper flange and the duct.
- Do not install in areas subject to stress phenomena, i.e. vibrations, bending or cyclic torsion.
- Do not deform or twist the frame during maintenance and installation operations.
- Install in areas protected from atmospheric agents.

Maintenance

- Before any intervention on the product use the planned IPD and then cut power to the command systems.
- To clean, use substances or liquids that are NON-acidic and NON-abrasive
- Do not paint levers or pins
- Do not use paste lubricants only spray.
- Periodically check the damper move freely; remove solid residue in the bushes-shafts gaps.

GT 050

Product code

-	-	G	T	0	5	0	C	1	9	3	6	4	1	0	0	0	0
---	---	---	---	---	---	---	---	---	---	---	---	---	---	---	---	---	---

Std version
Different from 00 special versions

Size
b 360 x h 410

C Manual 19
M Motor from 01 to 99

Damper code

-- Safe area version
EX ATEX version

SagiCofim spa

Comfort Filtration Engineering

via Firenze 1
20063 Cernusco sul Naviglio
Milan Italy
tel +39 02 929021
fax +39 02 92902300
info@sagicofim.com
www.sagicofim.com



Sagicofim S.p.A. reserves the right to make changes or amendments at any time without being obliged to give advance notification in relation to information in this publication.