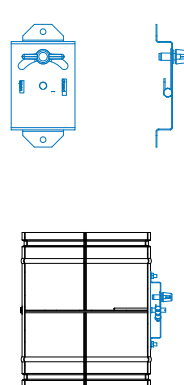
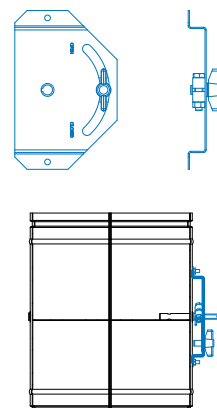
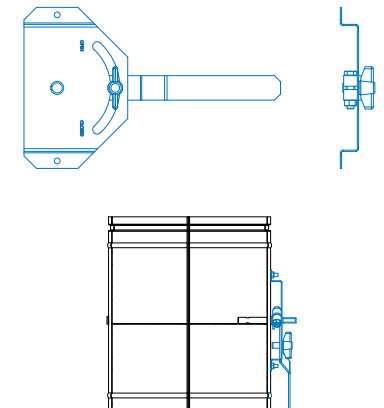
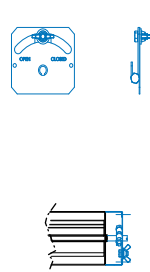
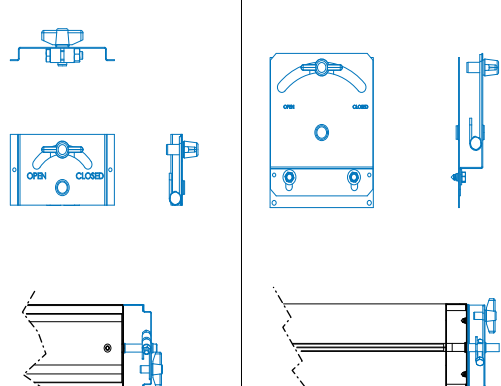
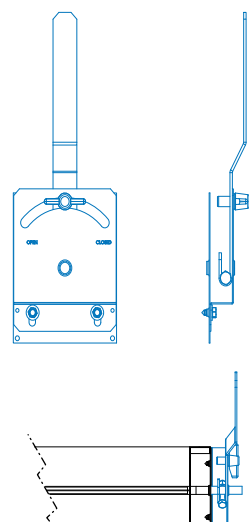
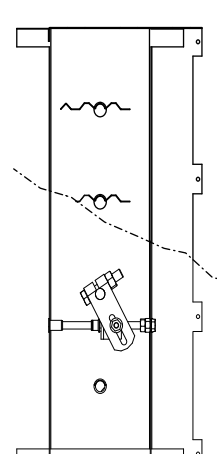


# CONTROL SYSTEMS

## PRICES MANUAL CONTROLS FOR GTC CIRCULAR DAMPERS




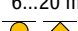






C19 - GTC €	C19 AISI 304 - GTC €	C21 - GTC €	C21 AISI 304 - GTC €	C22 - GTC €	C22 AISI 304 - GTC €
 <p>FOR GTC30</p>		 <p>FOR GTC40 UP TO Ø 450 mm</p>		 <p>FOR GTC40 from Ø 500 mm GTC40R GTC50R GTC60R</p>	

## PRICES MANUAL CONTROLS FOR GT RECTANGULAR DAMPERS

C19 €	C19 Inox 304 €	C20 €	C20 AISI 304 €	C21 €	C21 AISI 304 €	C22 €	C22 AISI 304 €	C23 €	C23 AISI 304 €
 <p>FOR GT050 ONLY</p>		 <p>FOR GT PITCH 100 AND PITCH 150</p>						 <p>FOR ASSEMBLIES</p>	

# BELIMO ON/OFF

## PRICES









	Torque	Universal clamp	Model	Description	Motor rotation time [s]	€
	2 Nm	6...12.7 mm 	CM 24-L	24 V, on-off control / 3-pt	75	
			CM 24-R	24 V, on-off control / 3-pt	75	
			CM 230-L	230 V, on-off control / 3-pt	75	
			CM 230-R	230 V, on-off control / 3-pt	75	
			CM 24-SR-L	24 V, modulating control	75	
			CM 24-SR-R	24 V, modulating control	75	
	5 Nm	6...20 mm 	LM 24 A	24 V, on-off control / 3-pti	150	
			LM 24 A-S	24 V, on-off control / 3-pti, 1 adjusting contact	150	
			LM 24 A-SR	24 V, modulating control 2...10 V	150	
			LM 230 A	230 V, on-off control / 3-pti	150	
			LM 230 A-S	230 V, on-off control / 3-pti, 1 adjusting contact	150	
			LM 230 A-SR	100...230 V, modulating control 2...10 V	150	
	10 Nm	8...26.7 mm 	NM 24 A	24 V, on-off control / 3-pti	150	
			NM 24 A-S	24 V, on-off control / 3-pti, 1 adjusting contact	150	
			NM 24 A-SR	24 V, modulating control 2...10 V	150	
			NM 230 A	230 V, on-off control / 3-pti	150	
			NM 230 A-S	230 V, on-off control / 3-pti, 1 adjusting contact	150	
			NM 230 A-SR	230 V, modulating control 2...10 V	150	
	20 Nm	10...20 mm 	SM 24 A	24 V, on-off control / 3-pti	150	
			SM 24 A-S	24 V, on-off control / 3-pti, 1 adjusting contact	150	
			SM 24 A-SR	24 V, modulating control 2...10 V	150	
			SM 230 A	230 V, on-off control / 3-pti	150	
			SM 230 A-S	230 V, on-off control / 3-pti, 1 adjusting contact	150	
			SM 230 A-SR	230 V, modulating control 2...10 V	150	
	40 Nm	12...26.7 mm 	GM 24 A	24 V, on-off control	150	
			GM 230 A	230 V, on-off control	150	
			GM 24 A-SR	24 V, modulating control 2...10 V	150	

## PRICES

Accessories valid for the entire range, except series CM		€
S1 A	1 external auxiliary contact with adjustable intervention point	
S2 A	2 external auxiliary contacts with adjustable intervention points	

# SCHISCHEK ON/OFF

## PRICES

Clamp	Model	Description	Motor rotation time [s]	€
<b>SAFE AREA</b>				
 12 mm 	InMax 5.10-S	5-10 Nm, IP66, on/off 3 pos., 24...240 V ac/dc, 2 built-in microswitches	3/15/30/60/120	
	InMax 15.30-S	15-30 Nm, IP66, on/off 3 pos., 24...240 V ac/dc, 2 built-in microswitches	3/15/30/60/120	
	InMax 5.10-Y	5-10 Nm, IP66, 3 pos., 0...10 V dc, 4...20 mA, 24...240 V ac/dc	7.5/15/30/60/120	
	InMax 15.30-Y	15-30 Nm, IP66, 3 pos., 0...10 V dc, 4...20 mA, 24...240 V ac/dc	7.5/15/30/60/120	
<b>ZONE 2 / 22 GAS + DUST</b>				
 12 mm  	RedMax 5.10-S	5-10 Nm, IP66, on/off 3 pos., 24...240 V ac/dc, 2 built-in microswitches	3/15/30/60/120	
	RedMax 15.30-S	15-30 Nm, IP66, on/off 3 pos., 24...240 V ac/dc, 2 built-in microswitches	3/15/30/60/120	
	RedMax 5.10-Y	5-10 Nm, IP66, 3 pos., 0...10 V dc, 4...20 mA, 24...240 V ac/dc	7.5/15/30/60/120	
	RedMax 15.30-Y	15-30 Nm, IP66, 3 pos., 0...10 V dc, 4...20 mA, 24...240 V ac/dc	7.5/15/30/60/120	
<b>ZONE 1 / 2 / 21 / 22 GAS + DUST</b>				
 12 mm  	ExMax 5.10-S	5-10 Nm, IP66, on/off 3 pos., 24...240 V ac/dc, 2 built-in microswitches	3/15/30/60/120	
	ExMax 15.30-S	15-30 Nm, IP66, on/off 3 pos., 24...240 V ac/dc, 2 built-in microswitches	3/15/30/60/120	
	ExMax 5.10-Y	5-10 Nm, IP66, 3 pos., 0...10 V dc, 4...20 mA, 24...240 V ac/dc	7.5/15/30/60/120	
	ExMax 15.30-Y	15-30 Nm, IP66, 3 pos., 0...10 V dc, 4...20 mA, 24...240 V ac/dc	7.5/15/30/60/120	

## PRICES

Accessories	€
InSwitch	Pair of external auxiliary microswitches for InMax actuators
RedSwitch	Pair of external auxiliary microswitches for RedMax actuators
ExSwitch	Pair of external auxiliary microswitches for ExMax actuators

# ON/OFF WITH SPRING RETURN BELIMO

## PRICES

	Torque	Clamp	Model	Description	€
	MOTOR 2.5 Nm SPRING 2.5 Nm	6...12 mm 	TF 24	24 V, on-off control	
			TF 24-S	24 V, on-off control, 1 SPDT auxiliary contact	
			TF 24-SR	24 V, modulating control 2...10 V,	
			TF 230	230 V, on-off control	
			TF 230-S	230 V, on-off control, 1 SPDT auxiliary contact	
			TF 230-SR	230 V, modulating control 2...10 V,	
	MOTOR 4 Nm SPRING 4 Nm	8...16 mm 	LF 24	24 V, on-off control	
			LF 24-S	24 V, on-off control, 1 SPDT auxiliary contact	
			LF 24-SR	24 V, modulating control 2...10 V,	
			LF 230	230 V, on-off control	
	MOTOR 10 Nm SPRING 10 Nm	10...25 mm 	NF24A	24 V, on-off control	
			NF24A-S2	24 V, on-off control, 2 SPDT auxiliary contacts	
			NF24A-SR	24 V, modulating control 2...10 V,	
			NFA	24/230 V, on-off control	
			NFA-S2	24/230 V, on-off control, 2 SPDT auxiliary contacts	
	MOTOR 20 Nm SPRING 20 Nm	10...25 mm 	SF24A	24 V, on-off control	
			SF24A-S2	24 V, on-off control, 2 SPDT auxiliary contacts	
			SF24A-SR	24 V, modulating control 2...10 V,	
			SFA	24/230 V, on-off control	
			SFA-S2	24/230 V, on-off control, 2 SPDT auxiliary contacts	
	MOTOR 30 Nm SPRING 30 Nm	12...26 mm 	EF24A	24 V, on-off control	
			EF24A-S2	24 V, on-off control, 2 SPDT auxiliary contacts	
			EF230A	230 V, on-off control	
			EF230A-S2	230 V, on-off control, 2 SPDT auxiliary contacts	
			EF24A-SR	24 V, modulating control 2...10V	
	MOTOR 18 Nm SPRING 12 Nm	12 mm 	BF24	24 V, on-off control, 2 SPDT built-in contacts	
			BF230	230 V, on-off control, 2 SPDT built-in contacts	
	MOTOR 4 Nm SPRING 3 Nm	12 mm 	BFL24	24 V, on-off control, 2 SPDT built-in contacts	
			BFL230	230 V, on-off control, 2 SPDT built-in contacts	
	MOTOR 9 Nm SPRING 7 Nm	12 mm 	BFN24	24 V, on-off control, 2 SPDT built-in contacts	
			BFN230	230 V, on-off control, 2 SPDT built-in contacts	




Other models UPON REQUEST

## PRICES

Accessories	€
S2A-F	2 adjustable external auxiliary contacts. Valid for LF, NF, SF only.
SN2-C7	2 adjustable external auxiliary contacts. Valid for BF, BFL, BFN only.

# ON/OFF WITH SPRING RETURN SCHISCHEK

## PRICES

Clamp	Model	Description	Motor rotation time [s]	Spring return time [s]	€
<b>SAFE AREA</b>					
 12 mm	InMax 5.10-SF	5-10 Nm, IP66, on/off 3 pos., 24...240 V ac/dc, 2 built-in microswitches	3/15/30/60/120	3/10	
	InMax 15-SF	15 Nm, IP66, on/off 3 pos., 24...240 V ac/dc, 2 built-in microswitches	3/15/30/60/120	3/10	
	InMax 30-SF	30 Nm, IP66, on/off 3 pos., 24...240 V ac/dc, 2 built-in microswitches	40/60/90/120/150	20	
	InMax 5.10-YF	5-10 Nm, IP66, 3 pos., 0...10 V dc, 4...20 mA, 24...240 V ac/dc	7.5/15/30/60/120	3/10	
	InMax 15-YF	15 Nm, IP66, 3 pos., 0...10 V dc, 4...20 mA, 24...240 V ac/dc	7.5/15/30/60/120	3/10	
	InMax 30-YF	30 Nm, IP66, On/Off 3 pos., 24...240 V ac/dc, 2 built-in microswitches	40/60/90/120/150	20	
<b>ZONE 2 / 22 GAS + DUST</b>					
 12 mm	RedMax 5.10-SF	5-10 Nm, IP66, on/off 3 pos., 24...240 V ac/dc, 2 built-in microswitches	3/15/30/60/120	3/10	
	RedMax 15-SF	15 Nm, IP66, on/off 3 pos., 24...240 V ac/dc, 2 built-in microswitches	3/15/30/60/120	3/10	
	RedMax 30-SF	30 Nm, IP66, on/off 3 pos., 24...240 V ac/dc, 2 built-in microswitches	40/60/90/120/150	20	
	RedMax 5.10-YF	5-10 Nm, IP66, 3 pos., 0...10 V dc, 4...20 mA, 24...240 V ac/dc	7.5/15/30/60/120	3/10	
	RedMax 15-YF	15 Nm, IP66, 3 pos., 0...10 V dc, 4...20 mA, 24...240 V ac/dc	7.5/15/30/60/120	3/10	
	RedMax 30-YF	30 Nm, IP66, on/off 3 pos., 24...240 V ac/dc, 2 built-in microswitches	40/60/90/120/150	20	
<b>ZONE 1 / 2 / 21 / 22 GAS + DUST</b>					
 12 mm	ExMax 5.10-SF	5-10 Nm, IP66, on/off 3 pos., 24...240 V ac/dc, 2 built-in microswitches	3/15/30/60/120	3/10	
	ExMax 15-SF	15 Nm, IP66, on/off 3 pos., 24...240 V ac/dc, 2 built-in microswitches	3/15/30/60/120	3/10	
	ExMax 30-SF	30 Nm, IP66, on/off 3 pos., 24...240 V ac/dc, 2 built-in microswitches	40/60/90/120/150	20	
	ExMax 5.10-YF	5-10 Nm, IP66, 3 pos., 0...10 V dc, 4...20 mA, 24...240 V ac/dc	7.5/15/30/60/120	3/10	
	ExMax 15-YF	15 Nm, IP66, 3 pos., 0...10 V dc, 4...20 mA, 24...240 V ac/dc	7.5/15/30/60/120	3/10	
	ExMax 30-YF	30 Nm, IP66, on/off 3 pos., 24...240 V ac/dc, 2 built-in microswitches	40/60/90/120/150	20	

## PRICES

Accessories		€
InSwitch	Pair of external auxiliary microswitches for InMax actuators	
RedSwitch	Pair of external auxiliary microswitches for RedMax actuators	
ExSwitch	Pair of external auxiliary microswitches for ExMax actuators	