

VRRK500-1



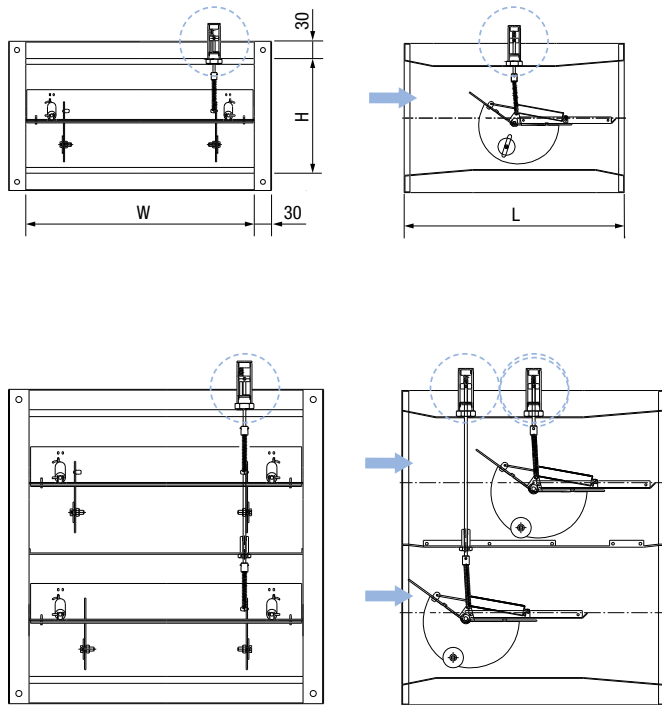
The rectangular self-regulating air flow rate regulator of the VRK series keeps the set air flow value constant with a +/-5% tolerance, regardless of the pressure and air flow variation, without the help of external energy. The calibration of the working air flow rate regulator must be set in the factory by selecting the contrast spring of the appropriate elastic response. This value can be adjusted on site using the socket head wrench within the working range of the reference spring. Product suitable for civil applications and, in the special versions, for industrial plants.

MATERIAL AND FINISH

- Frame in galvanized steel
- Blade in galvanized steel

VERSIONS

- VRRK500-1 base
- VRRK 500-1-i-30 double casing with thermal-acoustic insulation in glass fibre, 30 mm thick
- AISI 316 stainless steel (PRICES UPON REQUEST)
- ATEX II 2 GD (PRICES UPON REQUEST)



DIMENSIONS AND PRICES

Dimensions [mm]			VRRK500-1 €	VRRK500-1 i-30 €	Air flow rate Q [m³/h]	
W	H	L			Q _{min}	Q _{max}
150	150	220			243	570
200	150	220			324	756
300	150	220			486	1134
300	200	220			864	1512
400	200	220			864	2016
500	200	385			1080	2520
600	200	385			1296	3024
400	250	385			1080	2520
500	250	385			1350	3150
600	250	385			1620	3780
400	300	385			1296	3024
500	300	385			1620	3780
600	300	385			1944	4536
400	400	385			1728	4032
500	400	385			2160	5040
600	400	385			2592	6048
500	500	425			2700	6300
600	500	425			3240	7560
600	600	470			3880	9072