

GTC..R



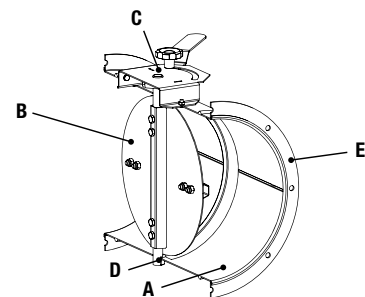
Regulating damper in circular galvanized steel with 400 / 500 / 600 mm casing in reinforced execution.

MATERIAL AND FINISH

A Galvanized steel, thickness 2 mm.
 B Blades in galvanized steel, thickness 1.5 mm.
 C Pin in AISI 316 stainless steel Ø18 mm, through.
 D BRONZE bushes.

VERSIONS

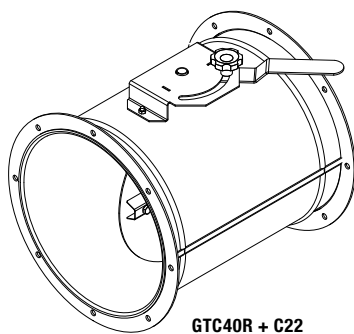
- GTC40R Ø from 315 to 800 mm
frame 400 mm
- GTC50R Ø from 900 to 1100 mm,
frame 500 mm
(PRICES UPON REQUEST)
- GTC60R Ø from 1200 to 1500 mm,
frame 600 mm
(PRICES UPON REQUEST)



- AISI 304 or 316 stainless steel (PRICES UPON REQUEST)
- Painting (PRICES UPON REQUEST)
- ATEX II 2 GD + 36 €

ACCESSORIES

Manual control C22 for GTC see page 273.
 Electric actuators see page 274.



GTC40R + C22

DIMENSIONS AND PRICES

Øn	Dimensions [mm]				Holes no.	Weight [Kg]	GTC40R €
	ØE	ØF	ØG	Th. flange			
315	313	345	375	3	8	10.5	
350	348	380	410	3	8	12	
400	398	440	480	3	8	14	
450	448	490	530	3	8	15.5	
500	498	540	580	3	8	17.5	
550	548	590	630	3	10	19	
560	558	600	640	3	10	19.5	
600	598	640	680	3	10	21	
630	628	670	710	3	10	22.5	
700	698	750	800	3	12	26	
710	708	760	810	3	12	26.5	
800	798	850	900	3	12	29	

Torque min; 11 Nm

