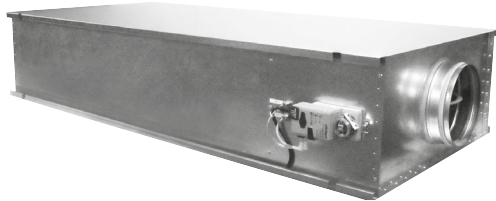


RSVB



VAV box used to control the air flow rate in supply and return ducts with built-in sound-absorbent section. Thanks to the actual air flow detection system, it is possible to guarantee an accurate control, regardless of the pressure variations inside the duct system, optimising energy consumption.

MATERIAL AND FINISH

- Frame in Z140 galvanized steel, casing tightness class C EN 1751
- Blade in galvanized steel, tightness class 4 EN 1751
- Glass wool sound-absorbent insulation with anti-abrasion coating.

VERSIONS

- RSVB10...NM normal supply
- RSVB10...NR normal return
- RSVB10...IM double insulation supply
- RSVB10...IR double insulation return

- RSVB10...HM normal supply hospital version
- RSVB10...HR normal return hospital version
- RSVB10...FM double insulation supply hospital version
- RSVB10...FR double insulation return hospital version
- Stainless Steel AISI 316 (PRICES UPON REQUEST)

ACCESSORIES

Post-heating battery (see page 247)

CONTROLS

Standard version:

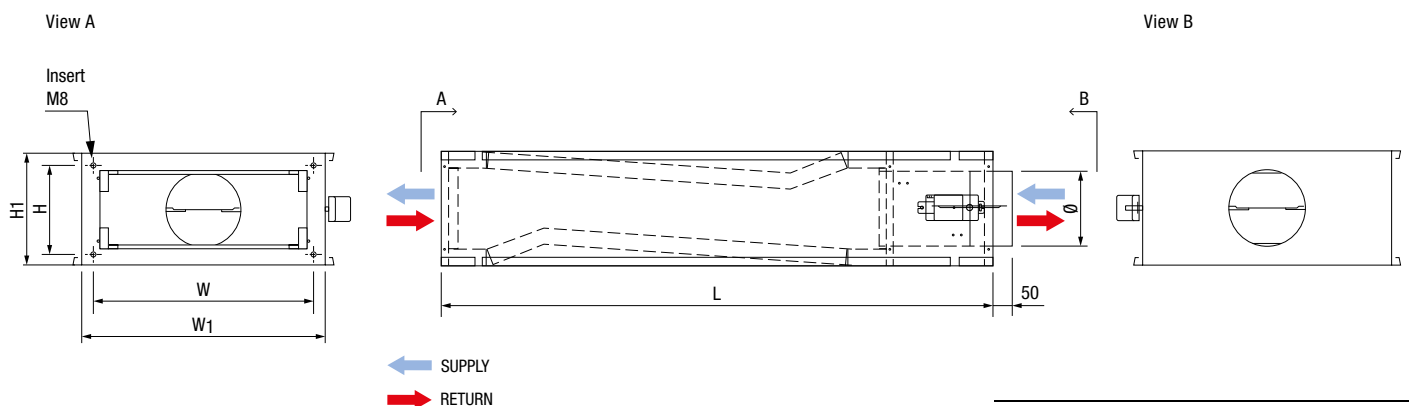
- RSVB10 with actuator LMV D3 MP F SG.

Other controls (PRICES UPON REQUEST):

- RSVB12 with actuator LMV-D3-LON
- RSVB16 with actuator LMV-D3-KNX
- RSVB20 with actuator LMV-D3-MOD
- RSVBX with explosion-proof actuator

DIMENSIONS AND PRICES

Ø _n	Dimensions [mm]						Weights [Kg]	RSVB10	RSVB10	RSVB10	RSVB10	RSVB10	RSVB10	RSVB10	RSVB10
	Ø	L	W	W ₁	H	H ₁		NM	NR	IM	IR	HM	HR	FM	FR
							€	€	€	€	€	€	€	€	€
125	123	1300	337	400	162	225	21								
160	128	1350	437	500	197	260	26								
200	198	1450	587	650	237	300	34								
250	248	1650	787	850	287	350	48								
315	313	1850	836	900	351	415	87								
400	398	1950	936	1000	436	500	105								



QUICK SELECTION

V _{min} 2 m/s		Ø _n [mm]	V _{max} 14 m/s	
l/s	m ³ /h		l/s	m ³ /h
22	80	125	158	570
38	135	160	263	950
60	215	200	416	1500
95	340	250	660	2375
138	500	315	986	3550
245	880	400	1708	6150