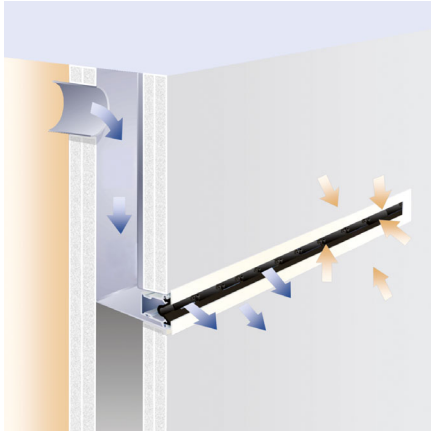


# INDULSNAP



INDULSNAP high induction linear diffusers for wall mounting guarantee uniform air distribution with high performance. By using a particular appropriately shaped and perforated distribution profile, with the integration of adjustable deflecting blades, air is brought into the room through a large number of jets, with a diffusion range of 40°.

They are available in the only air supply or return versions or in the combined supply and return version. The diffusion element is 24 or 45 mm wide.

### MATERIAL AND FINISH

- Plenum in galvanized steel sheet covered with high sound-absorbent pad
- The diffusion element is made in extruded anodized aluminum with external frame
- Milled extruded aluminum diffuser with peculiar geometry, painted black RAL9005, deflecting blades in black plastic
- Diffuser finish in colours RAL9010 and RAL7035 (UPON REQUEST).

### APPLICATION

- Suitable for both VAV and CAV systems, with flow rates varying from 100% to 20% with changes to jet behaviour

- Temperature difference during summer operation  $\Delta T$  -8K and during winter operation of maximum  $\Delta T$  +10K
- The self-supporting air throw of this particular diffuser prevent sudden drops of the air, guarantees an air induction rate of 1:25 and keeps the residual velocity in the occupied area uniform as the flow rate changes
- Installation height between 2.4 and 3.0 m.

### FASTENING

Plenum to embed in the wall and linear diffuser inserted on the plenum.

### VERSIONS

#### Supply

- V24E and V45E diffusion element respectively with 24 mm and 45 mm slot

#### Supply/Return

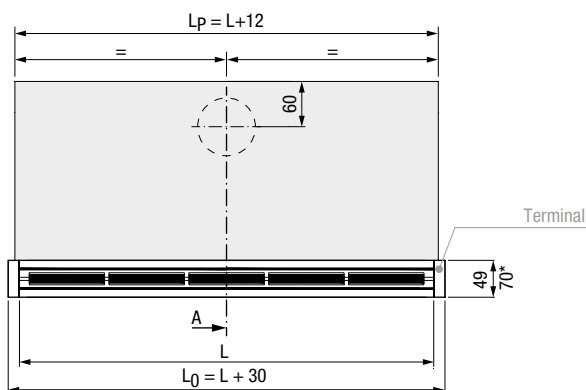
- V24K and V45K diffusion element respectively with 24 mm and 45 mm slot.

### ACCESSORIES

- External frame, RAL by choice
- Regulating damper with command from room.

## DIMENSIONS

### Front view

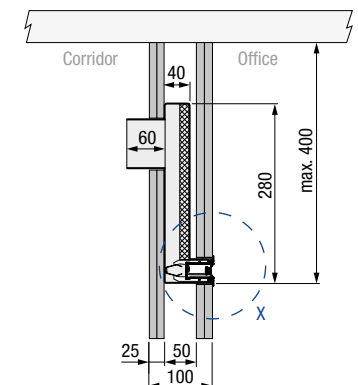


### INDULSNAP V24E INDULSNAP V45E

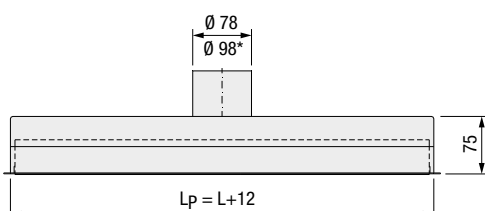
L [mm]	Connections Nr
550	1
860	2
1000	2
1200	2

### Section A

Installation in partition wall

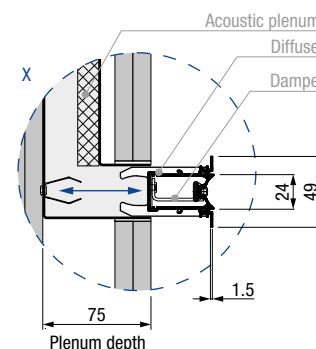


### Top view

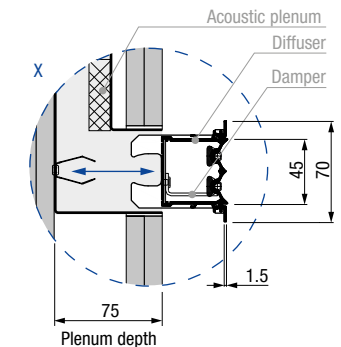


### DETAIL X

### INDULSNAP V24E



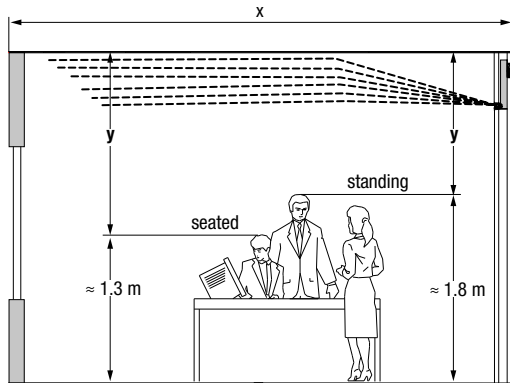
### INDULSNAP V45E



\* Dimensions model INDULSNAP V45E.

# INDULSNAP V24E

## PERFORMANCE

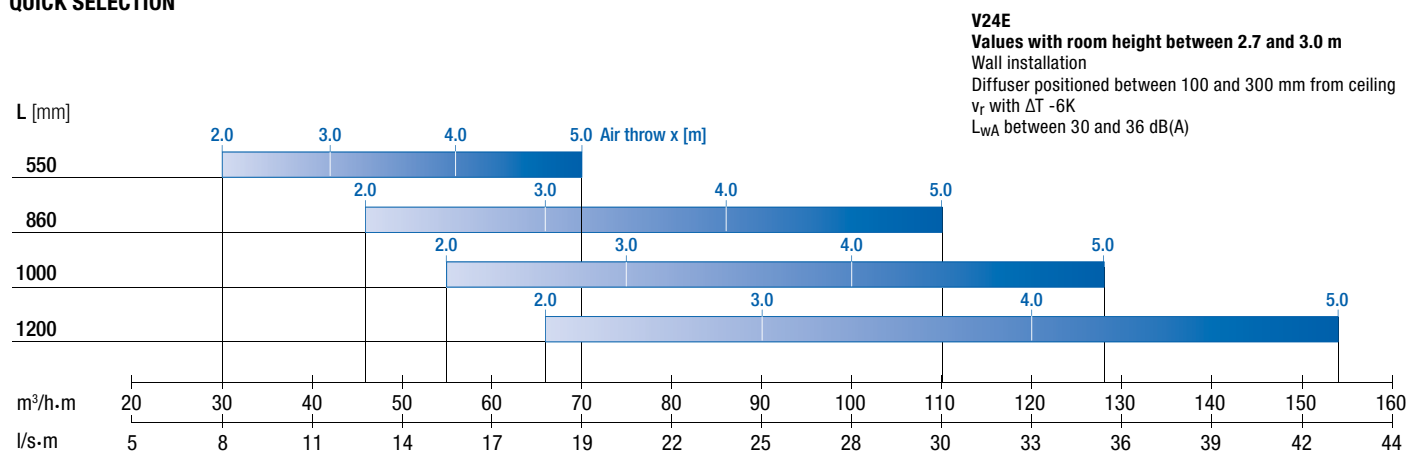


Definition of vertical air throw y

Lengths [mm]	$v_r$ [m/s]	Air throw x [m]			
		2.0	3.0	4.0	5.0
		Flow rate [m³/h]			
550	0.21	30	42	56	70
	0.19	22	38	50	64
	0.17	17	32	42	54
860	0.21	47	66	86	110
	0.19	34	58	78	100
	0.17	26	50	66	84
1000	0.21	55	75	100	128
	0.19	40	68	90	116
	0.17	30	58	78	98
1200	0.21	66	90	120	154
	0.19	48	80	108	138
	0.17	36	70	92	118

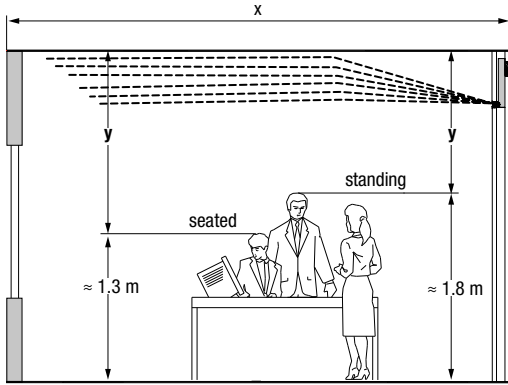
Lengths [mm]	Pressure drop [Pa]			
550 / 860 / 1000 / 1200	5	15	30	45

## QUICK SELECTION



# INDULSNAP V45E

## PERFORMANCE

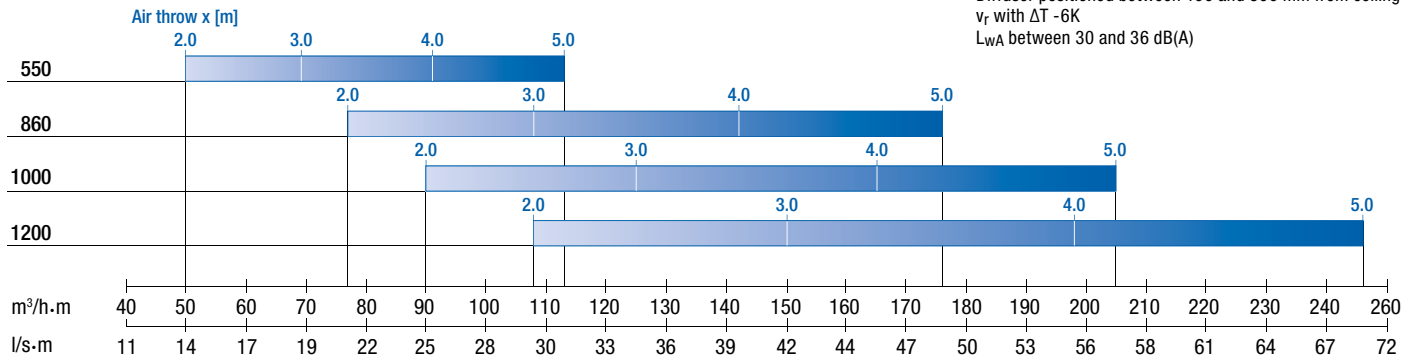


Definition of vertical air throw y

Lengths [mm]	$v_r$ [m/s]	Air throw x [m]			
		2.0	3.0	4.0	5.0
550	0.21	50	69	91	113
	0.19	39	61	80	102
	0.17	28	52	69	85
860	0.21	77	108	142	176
	0.19	60	95	125	159
	0.17	43	82	108	133
1000	0.21	90	125	165	205
	0.19	70	110	145	185
	0.17	50	95	125	155
1200	0.21	108	150	198	246
	0.19	84	132	174	222
	0.17	60	114	150	186

Lengths [mm]	Pressure drop [Pa]			
550 / 860 / 1000 / 1200	10	15	25	35

## QUICK SELECTION



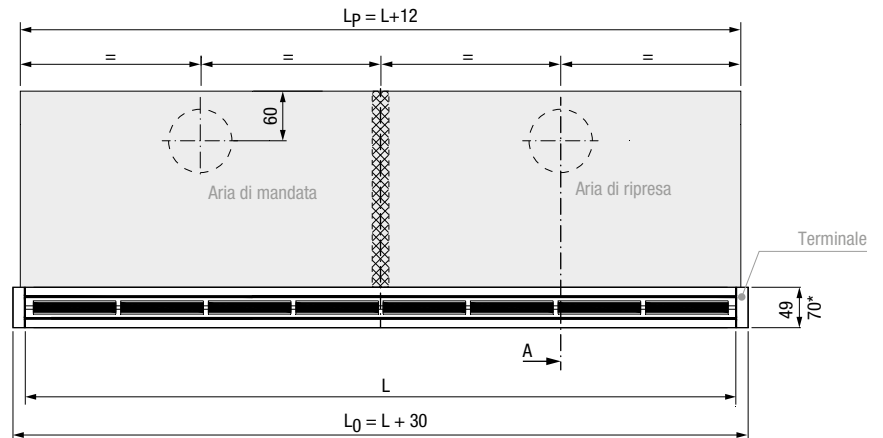
# INDULSNAP V24K / V45K

## DIMENSIONS

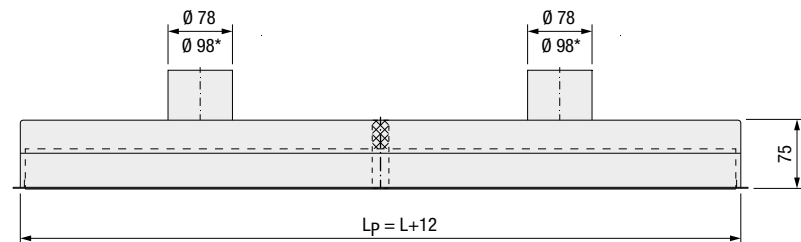
INDULSNAP V24K  
INDULSNAP V45K

L [mm]	Connections Nr
860	1+1
1000	1+1
1200	1+1

Front view

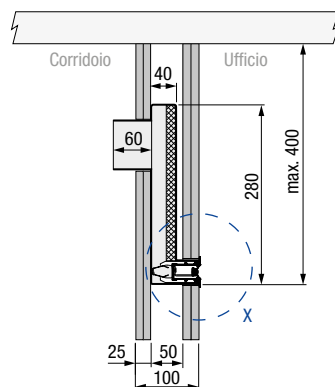


Top view

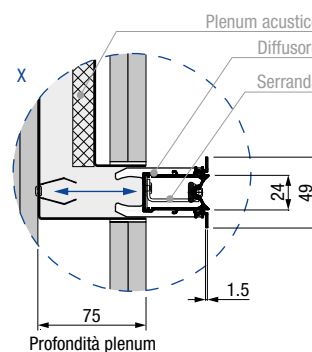


\* Dimensions model INDULSNAP V45K

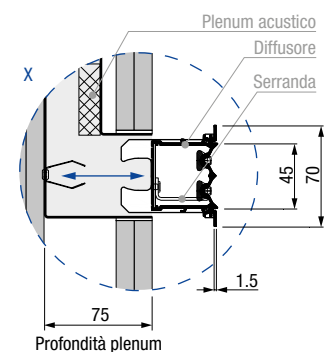
Section A  
Installation in partition wall



DETAIL X  
INDULSNAP V24K



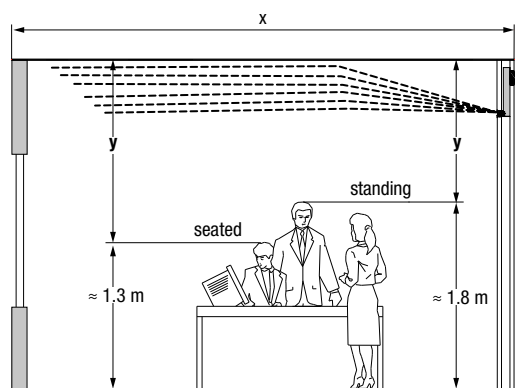
INDULSNAP V45K



# INDULSNAP V24K

AIR DIFFUSION

## PERFORMANCE



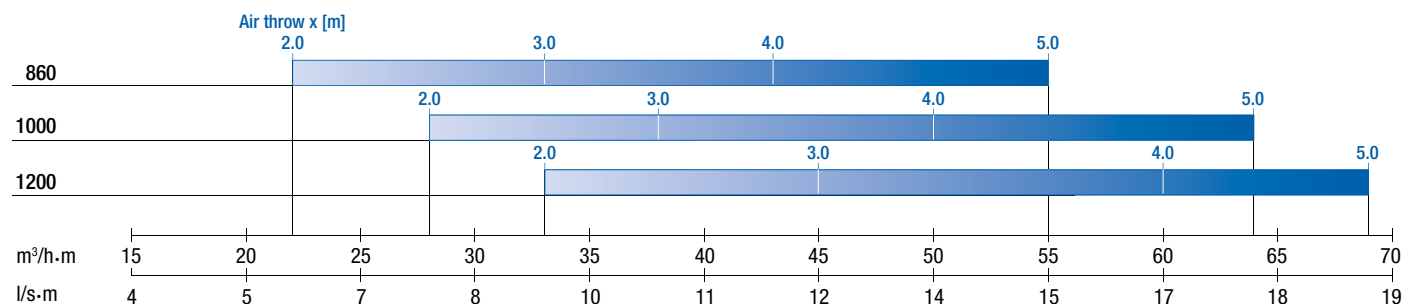
Definition of vertical air throw y

Lengths [mm]	$v_r$ [m/s]	Air throw x [m]			
		2.0	3.0	4.0	5.0
860	0.21	22+22	33+33	43+43	55+55
	0.19	17+17	29+29	39+39	50+50
	0.17	13+13	25+25	33+33	42+42
1000	0.21	28+28	38+38	50+50	64+64
	0.19	20+20	34+34	45+45	58+58
	0.17	15+15	29+29	39+39	49+49
1200	0.21	33+33	45+45	60+60	77+77
	0.19	24+24	40+40	54+54	69+69
	0.17	18+18	35+35	46+46	59+59

Lengths [mm]	Pressure drop [Pa]			
550 / 860 / 1000 / 1200	5	15	30	45

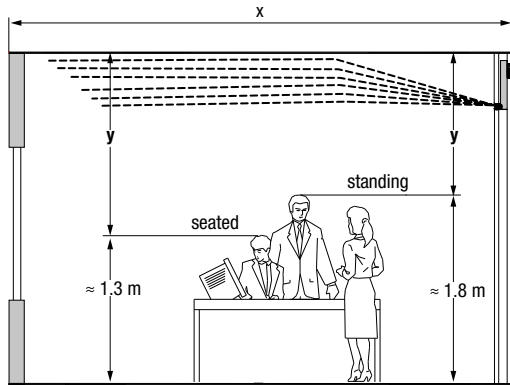
## QUICK SELECTION

**V24K**  
**Values with room height between 2.7 and 3.0 m**  
 Wall installation  
 Diffuser positioned between 100 and 300 mm from ceiling  
 $v_r$  with  $\Delta T$  -6K  
 $L_{wA}$  between 30 and 35 dB(A)



# INDULSNAP V45K

**PERFORMANCE**



Definition of vertical air throw y

Lengths [mm]	v <sub>r</sub> [m/s]	Air throw x [m]			
		2.0	3.0	4.0	5.0
		Flow rate [m³/h]			
860	0.21	39+39	54+54	71+71	88+88
	0.19	30+30	47+47	62+62	80+80
	0.17	22+22	41+41	54+54	67+67
1000	0.21	45+45	63+63	83+83	103+103
	0.19	35+35	55+55	73+73	93+93
	0.17	25+25	48+48	63+63	78+78
1200	0.21	54+54	75+75	99+99	123+123
	0.19	42+42	66+66	87+87	111+111
	0.17	30+30	57+57	75+75	93+93

Lengths [mm]	Pressure drop [Pa]			
550 / 860 / 1000 / 1200	10	15	25	35

**QUICK SELECTION**

**V45K**  
 Values with room height between 2.7 and 3.0 m  
 Wall installation  
 Diffuser positioned between 100 and 300 mm from ceiling  
 v<sub>r</sub> with ΔT -6K  
 L<sub>WA</sub> between 30 and 35 dB(A)

