

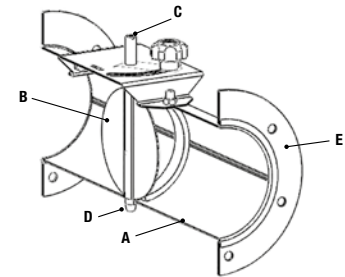
# GTC30 / GTCF30



Regulating damper in circular galvanized steel with 300 mm casing.

**MATERIAL AND FINISH**

- A Frame in Z140 galvanized steel, casing depth 300 mm, thickness 1 mm
- B Blade in galvanized steel, thickness 1 mm
- C Pins in galvanized steel Ø8 mm, not through
- D Drawing without bushes
- E Flanges only for GTCF30



**VERSIONS**

- GTC30 base
- GTC31 external gaskets + 10%
- GTCF30 with flange
- AISI 304 (PRICES UPON REQUEST)
- AISI 316 (PRICES UPON REQUEST)
- Painting (PRICES UPON REQUEST)
- ATEX II 2 GD + 33 €

**ACCESSORIES**

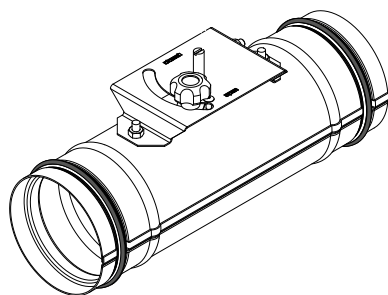
Manual control C19 for GTC see page 273.  
Electric actuators see page 274.

**DIMENSIONS AND PRICES**

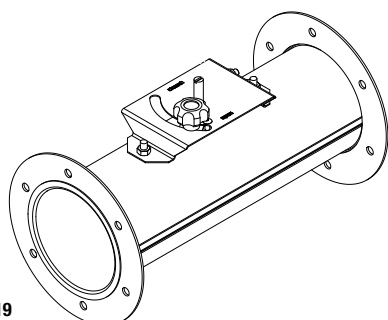
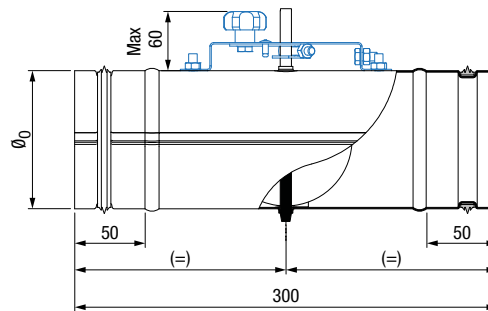
Ø <sub>n</sub>	Galvanized version					AISI version		
	Dimensions [mm]		Holes	GTC30	GTCF30	Dimensions [mm]		Holes
	Ø <sub>0</sub>	Ø <sub>H</sub>	nr	€	€	Ø <sub>0</sub>	Ø <sub>H</sub>	nr
80	78	110	4			78	113	4
100	98	135	4			98	133	4
125	123	155	4			123	155	4
150	148	180	4			148	182	4
160	158	192	4			158	191	5
175*	173	---	---			173	---	---
180	178	---	5			178	212	5
200	198	230	6			198	233	6
225*	223	---	---			223	---	---
250	248	280	6			248	281	6
300	298	330	6			298	331	6
315	313	346	6			313	346	6

Torque min; 4Nm

\*Non-standard product, the dimensions will be provided ON REQUEST



GTC31 + C19



GTCF30 + C19

