

DUG-MAB LPD DUG-DAB LPD



	DUG-MAB LPD	DUG-DAB LPD
EN 1822:2019 classification	H14	H14
MPPS efficiency	99,995%	99,995%
Suggested final pressure drop	250 Pa	250 Pa
Maximum pressure drop	600 Pa	600 Pa
Maximum operating temperature	60 °C	60 °C
Maximum relative humidity	90%	90%

Disposable terminal hoods suitable for applications where a unidirectional flow is required. The low initial pressure drop makes this type of filter the ideal solution for reducing operating, maintenance and disposal costs. The LPD version is especially appreciated in systems for which the life cycle cost is analysed.

MATERIAL AND FINISH

- Frame in anodized aluminum.
- Plenum in self-extinguishing polystyrene.
- Medium in fire-proof micro-fibre glass.
- Hot-melt separators.
- Protective grids in epoxy painted anodized aluminum.
- Bicomponent polyurethane sealant
- Flow-breaker panel inside plenum from size 610 x 610 mm.

APPLICATION

- In clean room false ceilings in the pharmaceutical and electronics industry.

VERSIONS

- D: port for leak test on room side.
- T: port for leak test on plenum.
- DR: port for leak test on filter bar separator and multiple blade damper with opposed movement with micrometre adjustment from the room.
- ATEX II 2 GD T6 (aluminum plenum).

ACCESSORIES

- Gasket.
- Equalizer membrane air outlet side.
- AISI 304 stainless steel protective grids.
- FL: aluminum perforated panel.
- FLS: AISI 304 stainless steel perforated panel.
- WT: aluminum high induction swirl diffuser with adjustable blades (only square sizes).
- WS: aluminum high induction swirl diffuser with stamp-formed blades (only square sizes).



LPD VERSION

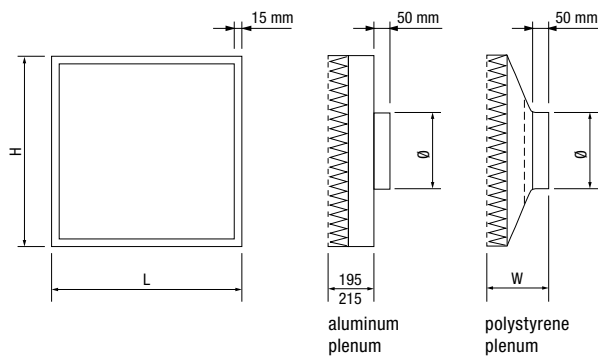
The LPD version considerably reduces load loss, by about 20%. This solution is to be used today for all systems since by reducing load losses we proportionally get lower fan energy consumption, a longer filter operating lifetime and lower labour and disposal costs. We can consider the system as being built perfectly according to the rules of the trade when these factors are observed.

DUG-MAB LPD DUG-DAB LPD

DIMENSIONS AND TECHNICAL DATA

Code	Dimensions [mm]				Collar [mm]	Nominal air flow rate Q			Filtering surface		Initial pressure drop [Pa]		
	DUG-MAB		DUG-DAB			Ø	[m³/h]	[l/s]	[ft³/min]	DUG-MAB	DUG-DAB	DUG-MAB	DUG-DAB
	L	H	W	W						[m²]	[m²]		
3*	305	305	240	265	160	150	42	88	3,6	5	80	70	
42	305	610	240	265	200	300	84	177	7	10	80	70	
43*	457	457	240	265	250	340	95	200	8	10	80	70	
54	595	595	240	265	250	570	158	335	13	18	80	70	
4	610	610	240	265	250	600	167	353	15	20	80	70	
8 / 315*	610	915	240	265	315	900	250	530	22	30	80	70	
9 / 315	610	1219	240	265	315	1200	333	706	29	38	80	70	
82	915	915	240	265	350	1360	378	800	33	44	80	70	

** Version available with aluminum plenum only



CHARACTERISTIC CURVES

