

# GTC40 / GTCF40



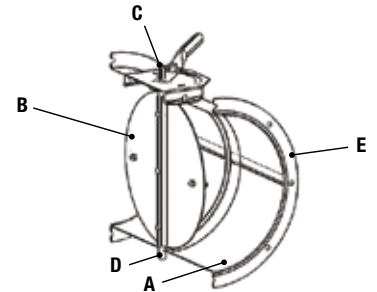
Regulating damper in circular galvanized steel with 400 mm casing.

### MATERIAL AND FINISH

- A Frame in Z140 galvanized steel, casing depth 400 mm, thickness 1.5 mm
- B Blades in galvanized steel, thickness 1.5 mm
- C Galvanized pins Ø 12 mm not through
- D Drawing without bushes
- E Flanges only for GTCF40

### VERSIONS

- GTC40 base
- GTC41 external gaskets + 10%
- GTCF40 with flange
- AISI 304 (PRICES UPON REQUEST)
- AISI 316 (PRICES UPON REQUEST)
- Painting (PRICES UPON REQUEST)
- ATEX II 2 GD + 36 €



### ACCESSORIES

Manual controls C21 or C22 for GTC see page 273.  
Electric actuators see page 274.

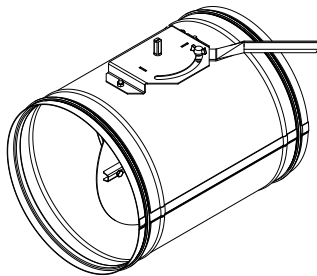
### DIMENSIONS AND PRICES

Ø <sub>n</sub>	Galvanized version				
	Dimensions [mm]		Holes		
	Ø <sub>0</sub>	Ø <sub>H</sub>	nr		
				GTC40	GTCF40
				€	€
315	313	346	6		
350	348	380	8		
400	398	433	8		
450	448	485	10		
500	498	535	10		
550	548	585	12		
600	598	635	14		
700*	698	---	---		

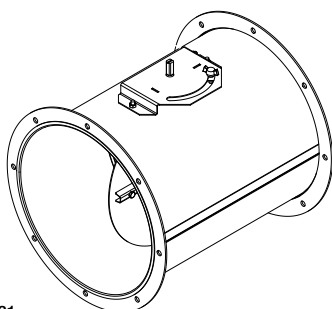
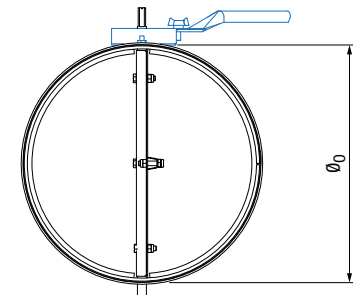
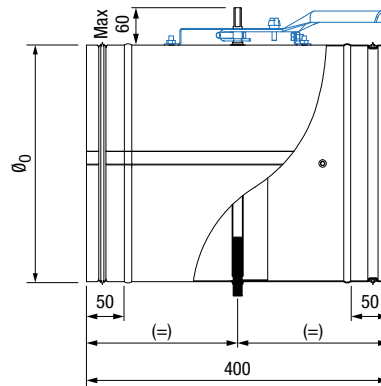
Ø <sub>n</sub>	AISI version		
	Dimensions [mm]		Holes
	Ø <sub>0</sub>	Ø <sub>H</sub>	nr
315	313	346	6
350	348	381	8
400	398	433	8
450	448	480	10
500	498	532	10
550	548	685	12
600	598	637	14
700*	698	---	---

Torque min; 8Nm

\*Non-standard product, the dimensions will be provided ON REQUEST



GTC41 + C22



GTCF40 + C21

