

HTE400



The HTE 400 damper is used near the crossing point of fire-fighting compartments to ensure perfect continuity of the fire resistance characteristics and to prevent smoke and flames from propagating through the aerologic circuits. Available in different materials and multiple handling systems.

MATERIAL AND FINISH

- Frame in galvanized steel, 36-mm flanges and casing depth 400 mm. Frame in AISI 304 or 316 stainless steel available.
- Blade in calcium silicate with silicone gasket to seal off cold smoke and heat-expanding intumescent gasket for hot sealing.
- Galvanized steel pins with control pin misaligned with that of the shutter.

APPLICATION

The damper is designed to prevent the propagation of flames inside the air ventilation and conditioning systems for civil plants.

VERSIONI

• Mechanical

- M1 mechanical release with manual reset without microswitch
- M2 mechanical release with manual reset + 1 microswitch
- M3 mechanical release with manual reset + 2 microswitches
- E7 - E5 mechanical release + electromagnet normally de-energized (24 V - 230 V) + manual reset
- G0 mechanical release at CO₂ throw with manual reset

• With electric actuator

- F1 - F3 model BFL 24 V - 230 V
- C6 - C8 model BFN 24 V - 230 V
- B2 - B6 model BF 24 V - 230 V
- X1 model RedMax 15BF + ExPro-TT (Zone 2, 22)
(PRICES UPON REQUEST)
- X3 model ExMax 15BF + ExPro-TT (Zone 1, 21, 2, 22)
(PRICES UPON REQUEST)
- X5 model InMax 15BF + InPro-TT
(PRICES UPON REQUEST)

Support

	Classification at 300 Pa			Classification at 500 Pa		
	EI 90 S	EI 120 S	EI 180 S	EI 90 S	EI 120 S	EI 180 S
Rigid wall in foamed concrete/masonry min 100 mm thick, min density 500 kg/m ³	(ve i-o)	(ve i-o)	-	(ve i-o) up to 1000 x 800 mm	(ve i-o) up to 1000 x 800 mm	-
Rigid wall in foamed concrete/masonry min 120 mm thick, min density 500 kg/m ³	(ve i-o)	(ve i-o)	(ve i-o)	-	-	-
Light wall in plasterboard, min 100 mm thick	-	-	-	(ve i-o) up to 1000 x 800 mm	(ve i-o) up to 1000 x 800 mm	-
Light wall in plasterboard, min 125 mm thick	(ve i-o)	(ve i-o)	(ve i-o)	-	-	-
Floor in reinforced concrete, min 150 mm thick, min density 2200 kg/m ³	(ho i-o)	(ho i-o)	(ho i-o)	-	-	-

HTE400

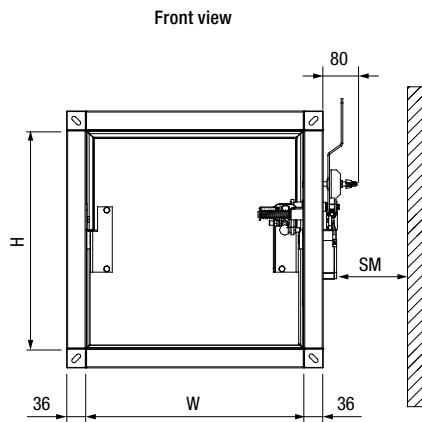
DIMENSIONS AND PRICES

Version **M1** (Mechanical release with manual reset without microswitch)

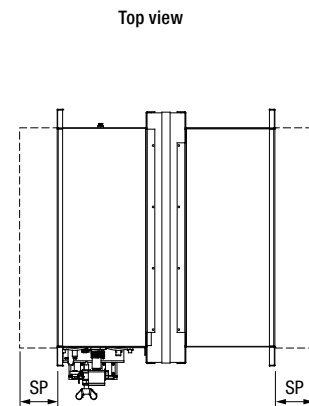
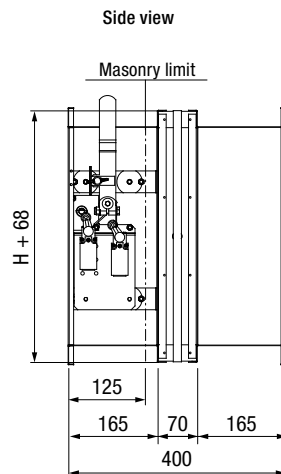
[mm] W	150	200	300	400	500	600	700	800	900	1000	1100	1200	1300	1400	1500
H	€	€	€	€	€	€	€	€	€	€	€	€	€	€	€
150															
200															
250															
300															
350															
400															
450															
500															
550															
600															
650															
700															
750															
800															

For versions **M2** and **M3** add the price of the signal microswitch mod. **FR530** page 323

Version **M3** (Mechanical release with manual reset + 2 microswitches)



SM = Space for servicing motor/mechanism 200 mm






SP = Blade overhang

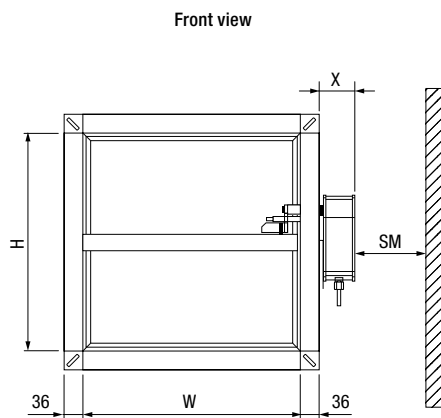
For dampers with height > 400 mm the blade overhang (SP) is:

$$SP = \frac{(H - 400)}{2} \text{ mm}$$

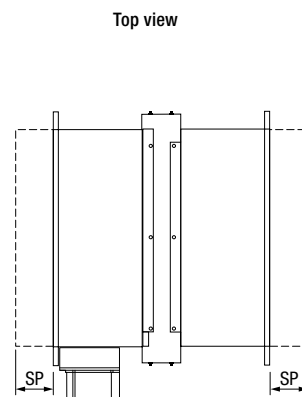
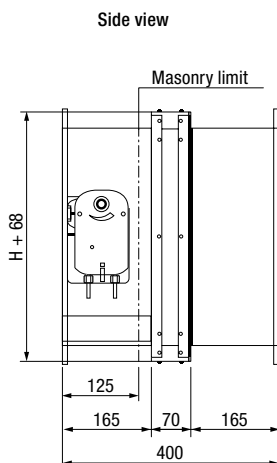
HTE400

X [mm]	BELIMO electric actuator		Description	24 V	230 V
	Model			Versions	
68	BFL-T		Engine torque min 4 Nm / < 60s Spring torque min 3 Nm / 20s	F1	F3
72	BFN-T		Engine torque min 9 Nm / < 60s Spring torque min 7 Nm / 20s	C6	C8
80	BF-T		Engine torque min 18 Nm / < 90s Spring torque min 12 Nm / 16s	B2	B6

HTE400 + BELIMO electric actuator



SM = Space for servicing
motor/mechanism 200 mm



SP = Blade overhang

For dampers with height > 400 mm
the blade overhang (SP) is:

$$SP = \frac{(H - 400)}{2} \text{ mm}$$

HTE400

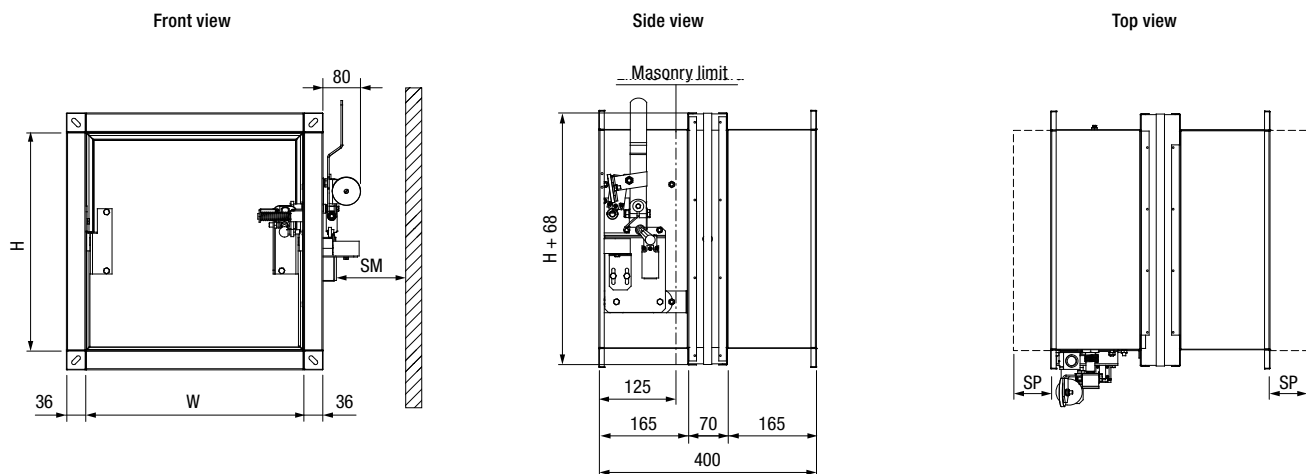
DIMENSIONS AND PRICES

Version **E7 - E5** (Mechanical release with manual reset + electromagnet normally de-energized 24 V - 230 V)

[mm] W	150	200	300	400	500	600	700	800	900	1000	1100	1200	1300	1400	1500
H	€	€	€	€	€	€	€	€	€	€	€	€	€	€	€
150															
200															
250															
300															
350															
400															
450															
500															
550															
600															
650															
700															
750															
800															

For versions **E3 - E1 / E2 - E6** add the price of the signal microswitch mod. **FR530** page 323

Versions **E3 - E1** (Mechanical release with manual reset + electromagnet normally de-energized 24 V - 230 V, 1 signal microswitch)



SM = Space for servicing
motor/mechanism 200 mm

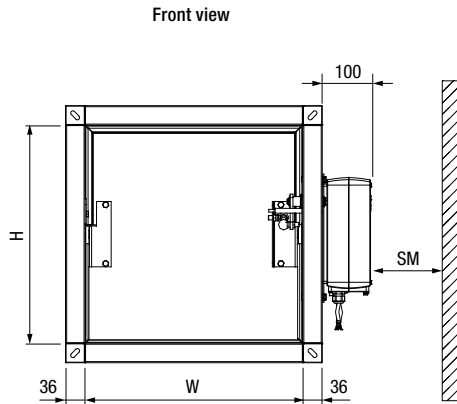
SP = Blade overhang

For dampers with height > 400 mm
the blade overhang (SP) is:

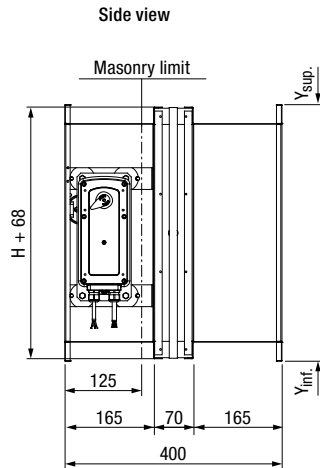
$$SP = \frac{(H - 400)}{2} \text{ mm}$$

HTE400

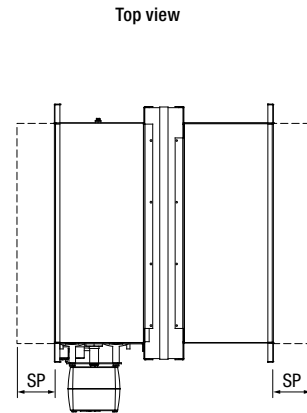
Versions X1 - X3 - X5 HTE400 + SCHISCHEK electric actuator



SM = Space for servicing motor/mechanism 200 mm



Motor overhang = $Y_{inf.}$ maximum 50mm

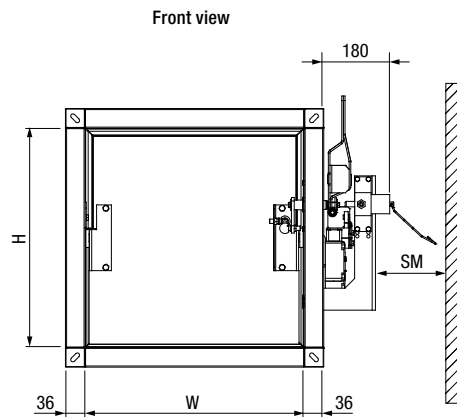


SP = Blade overhang

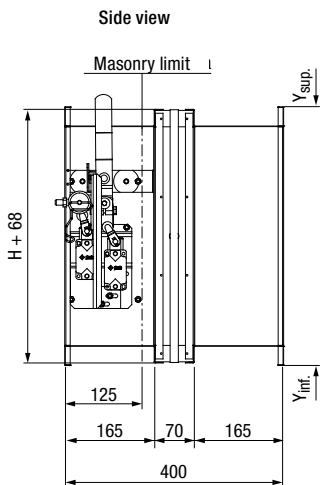
For dampers with height > 400 mm the blade overhang (SP) is:

$$SP = \frac{(H - 400)}{2} \text{ mm}$$

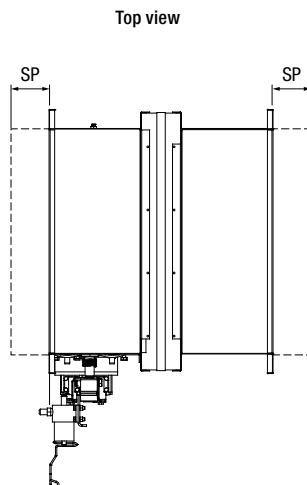
Version G0 (Mechanical release at CO₂ with manual reset)



SM = Space for servicing motor/mechanism 200 mm



Motor overhang = $Y_{inf.}$ maximum 50mm



SP = Blade overhang

For dampers with height > 400 mm the blade overhang (SP) is:

$$SP = \frac{(H - 400)}{2} \text{ mm}$$