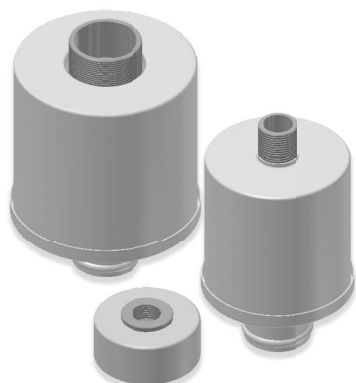


# GBC

## Glove Box Cartridge



	GBC
EN1822 class	H13 - H14 - U15
Max operating temperature	70° C
Media	Micro-fibre glass
Casing	Anodized aluminium
Separators	Hot melt
Sealant	Polyurethane
Gasket	FDA silicone
Connection	Aluminium threaded spigot

HEPA and ULPA cartridge filters for pharmaceutical and nuclear applications. Manufactured and packaged in clean room and individually tested according to EN 1822 standard.

### VERSIONS

- SC Single connection
- DC Double connection

### ADVANTAGES

- Easy and safe installation
- Wide air flows range

### TECHNICAL DATA

Model	Dimensions [mm]			Versions HEPA			Versions ULPA	
	$\varnothing_{\text{CONN}}$	$\varnothing_{\text{EST}}$	$H_T^*$	Air flow rate [m <sup>3</sup> /h]	Pressure drop [Pa]		Air flow rate [m <sup>3</sup> /h]	Pressure drop [Pa]
GBC					H13	H14		U15
5	M24 x 2**	90	41,5	5	195	220	2,5	200
20	G1**	122	164	20	195	220	10	200
50	$\varnothing 62$ thread 2,5	154	173	50	180	200	25	180
100	$\varnothing 62$ thread 2,5	160	223	100	230	280	50	250

\* total height  $H_T$  is for single connection (SC) models only

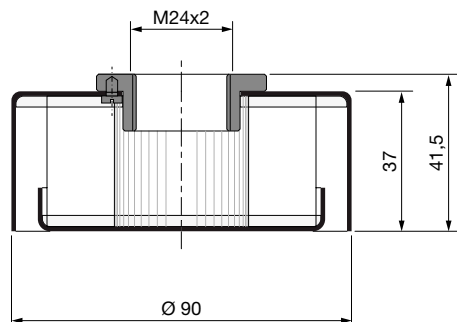
\*\* threads according to technical nomenclature (metric and GAS)

# GBC

## Glove Box Cartridge

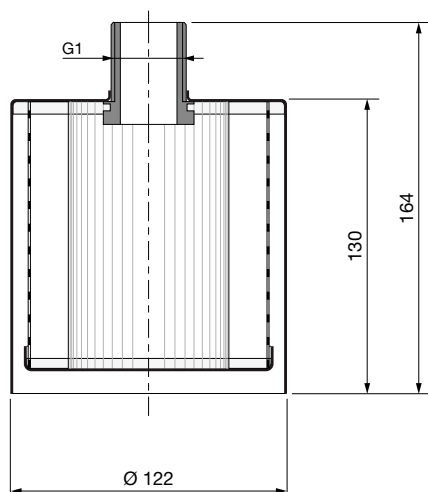
### GBC5 SC

Single connection



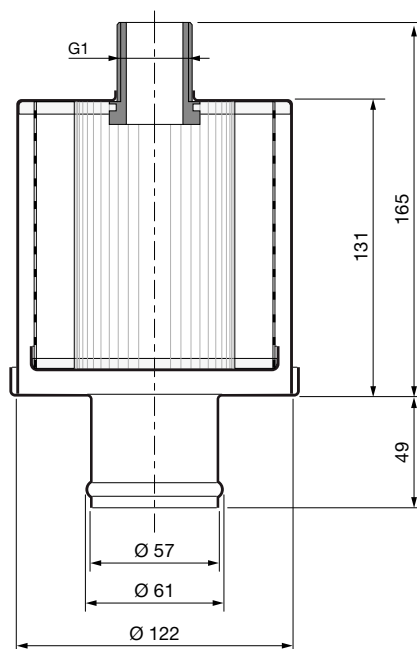
### GBC20 SC

Single connection



### GBC20 DC

Double connection



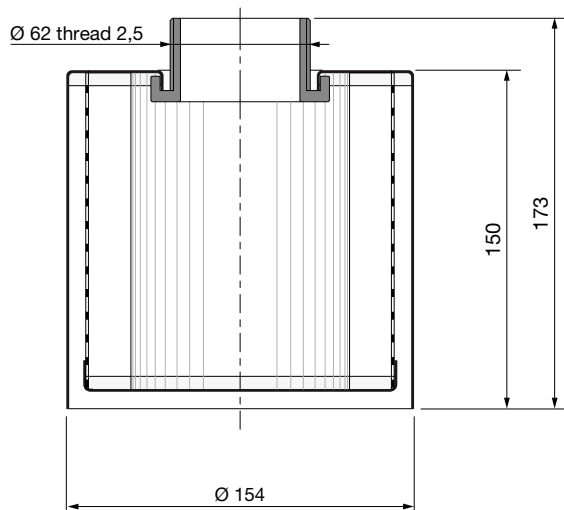
All the quotes, unless otherwise indicated, are expressed in mm

# GBC

## Glove Box Cartridge

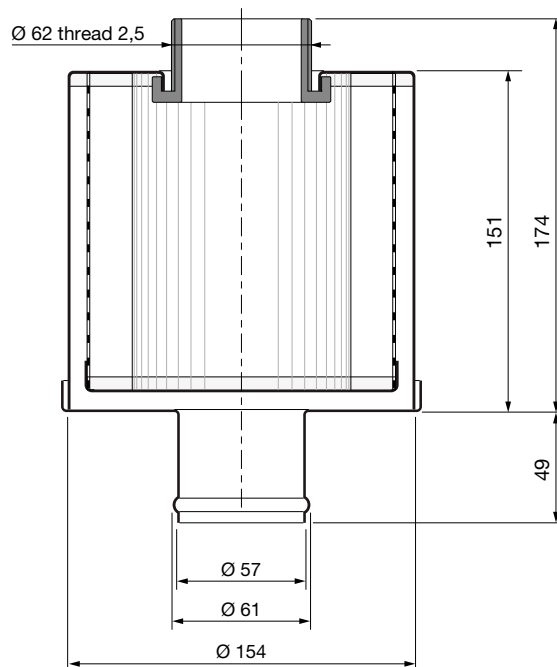
### GBC 50 SC

Single connection



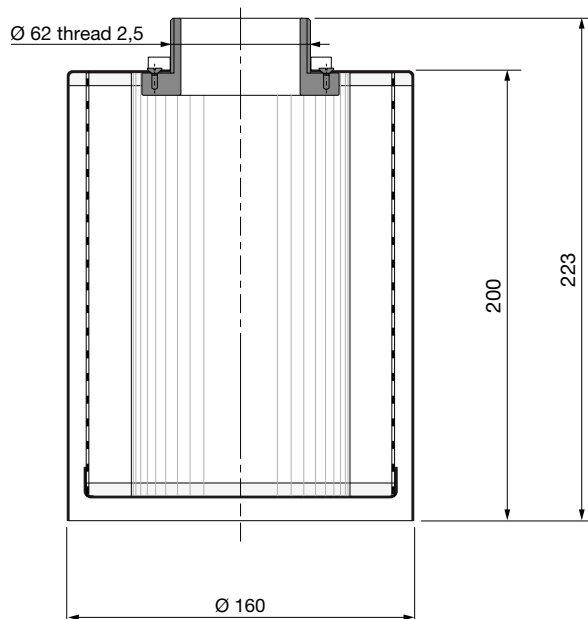
### GBC 50 DC

Double connection



### GBC 100 SC

Single connection



All the quotes, unless otherwise indicated, are expressed in mm

# GBC-S

## Glove Box Cartridge



	GBC-S
EN1822 class	H13 - H14 - U15
Max operating temperature	70° C
Media	Micro-fibre glass
Casing	AISI 304
Mesh	AISI 304
Separators	Hot melt
Sealant	Polyurethane
Gasket	FDA silicone
Connection	AISI 304 threaded spigot

HEPA and ULPA cartridge filters for pharmaceutical and nuclear applications.

Manufactured and packaged in clean room and individually tested according to EN 1822 standard.

The innovative connection system enables to get ATEX classification without external grounding systems

### VERSIONS

- AXIAL
- RADIAL

### ADVANTAGES

- Easy and safe installation
- High resistance to common solvents and aggressive chemicals

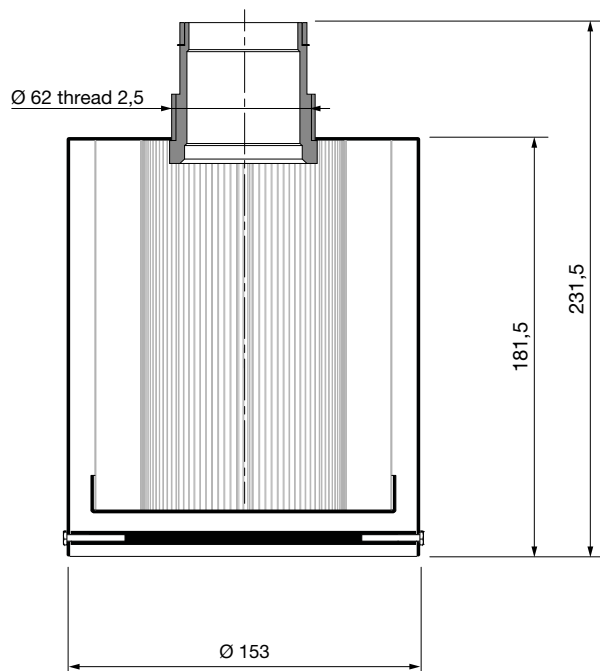
### TECHNICAL DATA

Model	Dimensions [mm]			Air flow rate [m <sup>3</sup> /h]	Versions HEPA Pressure drop [Pa]		Versions ULPA Pressure drop [Pa]	
	Ø <sub>CONN</sub>	Ø <sub>EST</sub>	H <sub>T</sub>		H13	H14	U15	U15
GBC-S								
AXIAL	Ø62 thread 2,5	153	231,5	50	180	200	25	180
RADIAL	Ø62 thread 2,5	150	212	50	120	150	25	130

# GBC-S

## Glove Box Cartridge

GBC-S 50 AXIAL



GBC-S 50 RADIAL

