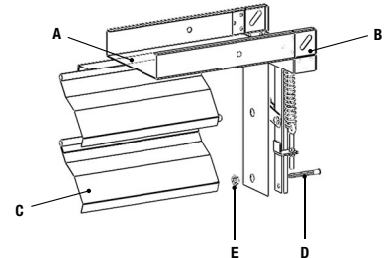


# GP100KC-S



Duct overpressure damper with blades combined outside the air flow with return to closing position by gravity and under the compression of the external calibration spring. Vertical installation with single direction flow. In the case of counter-flow, the damper functions as a non-return element. The combination allows simultaneous opening of the blades, preventing an uneven air flow from creating high turbulence zones and low velocity zones.

D Through galvanized pins.  
E NYLON bushes.



**MATERIAL AND FINISH**

- A Frame in galvanized steel Z140, duct-mounting.
- B Flange 36 mm, thickness 1 mm.
- C Galvanized blades combined externally, movement by gravity with closing spring that can be calibrated, anti-noise gasket.

**VERSIONS**

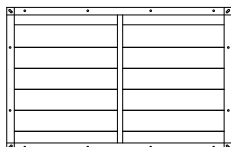
- AISI316
- ATEX II 2 GD

(PRICES UPON REQUEST)  
**+ 36 €**

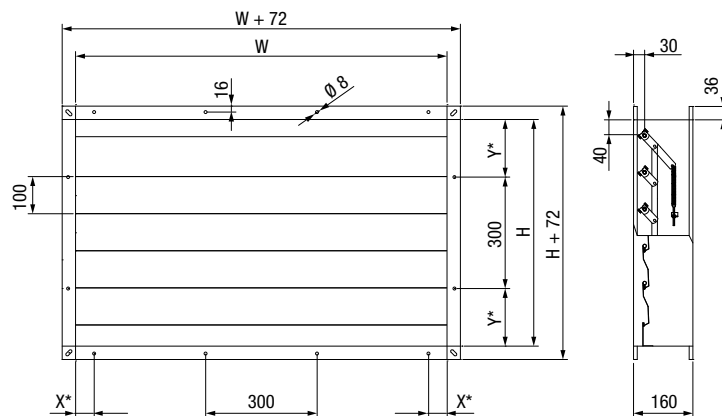
**DIMENSIONS AND PRICES**

[mm] W	SINGLE SECTION										DOUBLE SECTION				
	200	300	400	500	600	700	800	900	1000	1100	1200	1300	1400	1500	
H	€	€	€	€	€	€	€	€	€	€	€	€	€	€	
210															
310															
410															
510															
610															
710															
810															
910															
1010															
1110															
1210															
1310															
1410															
1510															
1610															
1710															
1810															
1910															
2010															

NB: For the prices of the intermediate sizes, consider the next size on the table.  
Ex.: 650 x 410 mm = 700 x 410 mm  
For basic sizes > 1000 mm, construction in double section with centre separator



\*See tech data sheet



The damper is supplied with an adjustable extensional spring positioned vertically. When completely unloaded, it is irrelevant for opening pressure purposes, minimum reference value 30 Pa. When increasing the pre-load of the spring (extending it using the tie rod), its compression force is increased and therefore the opening pressure is increased up to values close to 200 Pa. For different pressures, it is necessary to have a specific spring and factory calibration.