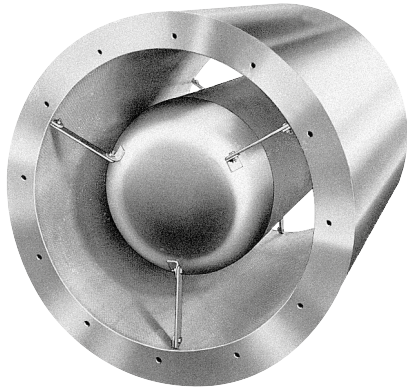


MCA / MCPA



The MCA and MCPA circular attenuators are cylindrical-shaped devices designed and built to attenuate noise and at the same time to reduce pressure drops on lines and ventilation units.

MATERIAL AND FINISH

- Standard construction in galvanized steel sheet
- Acoustic insulation material in special glass fibre protected by perforated sheet
- ON REQUEST: we can make special models in aluminum or stainless steel, fitted with a protective polyester membrane.

APPLICATION

They are installed on circular ducts of civil and industrial conditioning and ventilation systems or directly on axial fans.

Application specific for installation the swirl fans of roof-top condensation sets.

VERSIONS

- MCA: without central core, specific for limiting pressure drops, with length equal to one or two diameters (respect. MCA-1D or MCA 2D)
- MCPA: with central core for increased acoustical performance, with length equal to one or two diameters (respect. MCPA-1D or MCPA 2D).
- MCTA: for evaporative towers with flat head core and MELINEX.
- MCA-HOSP: special hospital execution with CAVILEN - MELINEX protective membrane.
- MAC-VRV: soundproofed cabinet specific for external climate units

FASTENING

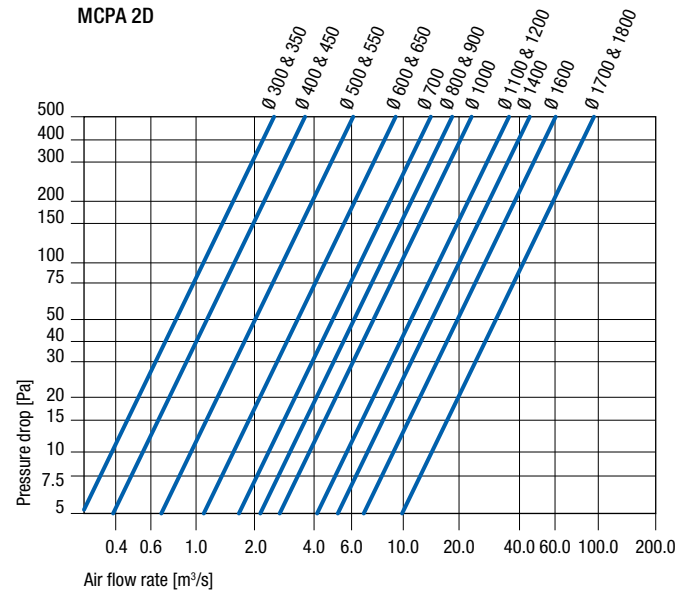
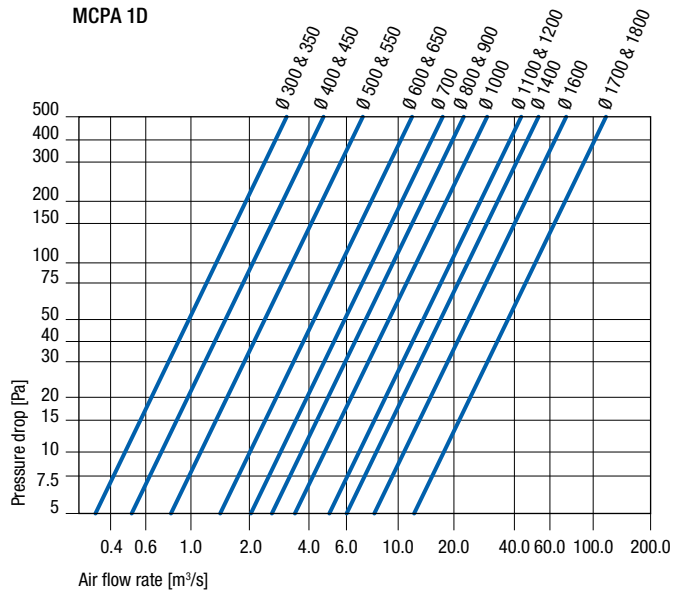
They are installed by using the threaded inserts on the two heads, in line with the duct flange. Quick and simple assembly.

ACOUSTICAL PERFORMANCE

Ø nominal [mm]	Model	Length	Octaves [Hz]							
			63	125	250	500	1k	2k	4k	8k
from 300 to 500	MCA	1 D	2	4	6	10	14	10	8	7
		2 D	4	7	11	17	21	17	13	12
	MCPA	1 D	4	6	8	12	18	19	16	14
		2 D	7	10	15	21	26	26	24	22
from 600 to 900	MCA	1 D	3	4	8	14	14	9	8	7
		2 D	6	8	13	22	22	14	13	9
	MCPA	1 D	4	6	9	17	23	20	18	11
		2 D	8	11	16	27	32	32	29	19
from 1000 to 1400	MCA	1 D	3	4	9	14	12	8	7	7
		2 D	6	8	13	21	18	12	11	10
	MCPA	1 D	4	6	11	20	19	15	13	11
		2 D	8	11	19	26	27	26	22	17
from 1600 to 1800	MCA	1 D	4	5	10	14	11	7	6	6
		2 D	8	9	14	20	17	11	10	9
	MCPA	1 D	5	7	12	19	18	13	11	9
		2 D	10	14	22	25	27	25	16	15

MCA / MCPA

PRESSURE DROP

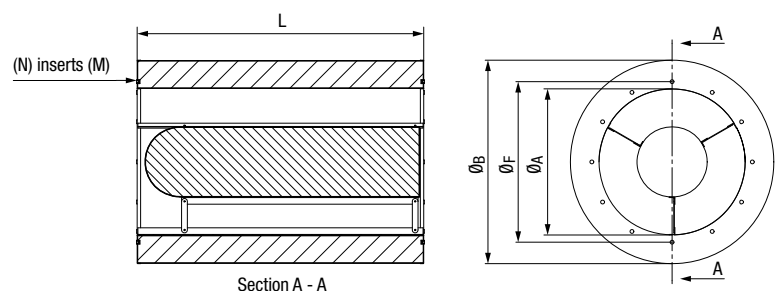


N.B The pressure drop value is considered only for MCPA models, because MCA models present minimal resistance.

DIMENSIONS AND PRICES

Ø nominal [mm]	Dimensions [mm]							Weight [kg]				MCA		MCPA	
	Ø _A	Ø _B	Ø _F	N	M	L 1D	L 2D	MCA		MCPA		1D	2D	1D	2D
								1D	2D	1D	2D	€	€	€	€
300	310	510	340	8	M8	300	600	10	18	13	23				
350	360	560	410	8	M8	350	700	13	23	16	28				
400	410	610	440	8	M10	400	800	16	29	21	38				
450	460	660	510	8	M10	450	900	19	35	25	45				
500	510	710	560	12	M10	500	1000	23	42	29	53				
600	610	810	660	12	M10	600	1200	31	57	41	75				
700	710	910	760	16	M10	700	1400	40	75	57	104				
800	810	1010	860	16	M10	800	1600	51	95	69	128				
900	910	1110	960	16	M12	900	1800	62	117	92	172				
1000	1010	1210	1060	16	M12	1000	2000	75	142	108	202				
1100	1110	1310	1170	20	M12	1100	2200	89	169	134	251				
1200	1210	1410	1270	20	M12	1200	2400	104	199	152	287				
1300	1310	1510	1370	20	M12	1300	2600	120	231	184	348				
1400	1410	1610	1470	20	M12	1400	2800	138	265	220	415				
1500	1510	1710	1570	24	M12	1500	3000	156	302	259	491				
1600	1610	1810	1670	24	M12	1600	3200	176	341	285	541				
1700	1710	1910	1770	24	M12	1700	3400	197	383	312	594				
1800	1810	2010	1870	24	M12	1800	3600	220	426	360	686				

MCA-HOSP version, increase of 10%
 MCTA series flat head CORE execution, increase of 3%
 Aluminum, stainless steel: prices UPON REQUEST



MCA IN LINE

The MCA/IN LINE attenuators are cylindrical-shaped devices designed and built to attenuate noise and at the same time to reduce pressure drops on lines and ventilation units.

MATERIAL AND FINISH

- Standard construction in galvanized steel and glass fiber sound-absorbent material, perforated sheet protection, fire reaction class 1.
- External casing in galvanized steel
- Internal casing in galvanized microstretched steel

APPLICATION

They are designed and built for specific applications on systems with circular ducts having small diameters from 100 mm to 355 mm.

VERSIONS

- PAS circular semirigid sound attenuators (see Flexible Ducts section).

FASTENING

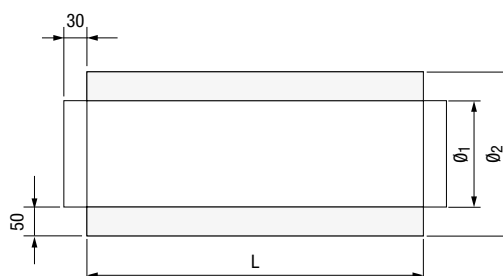
Direct clutch collars in galvanized steel sheet 30 mm length.

ACOUSTICAL PERFORMANCE

Ø nominal [mm]	Length [mm]	Attenuation [dB/octave]							
		63	125	250	500	1000	2000	4000	8000
100	600	2	5	9	21	34	26	18	10
125	600	2	5	9	20	33	25	16	10
160	600	2	5	9	20	32	25	15	10
200	600	2	4	8	17	29	23	13	9
250	900	2	5	10	19	32	25	14	11
315	900	2	5	10	19	32	25	14	11
355	900	2	4	8	17	29	23	13	10

PRICES

DN [mm]	Dimensions [mm]			MCA / IN LINE €
	Ø ₁	Ø ₂	L	
100	98	200	600	
125	123	225	600	
160	157	260	600	
200	198	300	600	
250	248	350	900	
315	312	415	900	
355	352	452	900	



Customized solutions with MCA / MCPA / MCTA ATTENUATORS

MCTA attenuators in aluminum on evaporative towers



MCPA attenuators for tunnel



MCA-VRV attenuators for heat pumps

