

## AFO AL1 / AFO AL2



The AFO AL1 and AFO AL2 acoustic grilles are devices studied to attenuate noise although allowing the air necessary for system operation to pass.

### MATERIAL AND FINISH

- AFO AL1: thickness 300 mm, consisting of boxed blades in galvanized steel and sound-absorbent material, assembled on the relevant supporting frame.
- In painted steel or aluminum (UPON REQUEST).
- AFO AL2: thickness 600 mm, with a higher noise attenuation index, they are built by assembling two standard grilles in series in opposite positions.

AFO AL1 and AL2 can meet any stylistic requirement for continuous lines and corners and are available in many colours and finishing.

### APPLICATION

Acoustic grilles can form entire soundproof walls both in the building's roofing and on the ground around different types of systems.

They can be wall-mounted near openings of rooms or buildings containing different types of plant systems.

### VERSIONS

- SLIM: special execution with case having thickness 200 mm (PRICES UPON REQUEST)
- A2A: with increased section (PRICES UPON REQUEST)
- Finish painted in RAL and other colours or, as an alternative, aluminium or stainless steel

### FASTENING

AFOs are usually installed in two ways:

- To create acoustic insulation walls, the grilles can be supplied without flanges, but fitted with all other necessary accessories.
- For installation on openings on facades of buildings, the assembly is normally with flanges and counter-frames.

Several accessories and optional devices are available: hinged acoustic grilles, soundproof doors, protection grids, supporting structures, etc.

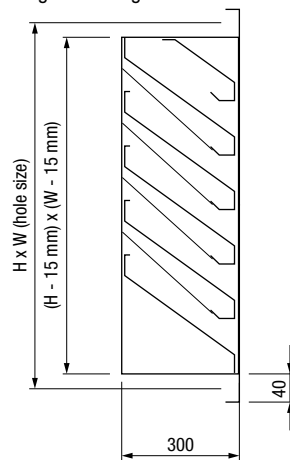
Acoustical performance is expressed through the Sound Reduction Index, i.e. the sound transmission drops through walls. In standard calculation applications, the performance indicated here is used in the same way as the attenuator static insertion drop.

The Sound Reduction Index is obtained by the average acoustic performance value, calculated in the five positions of the microphone.

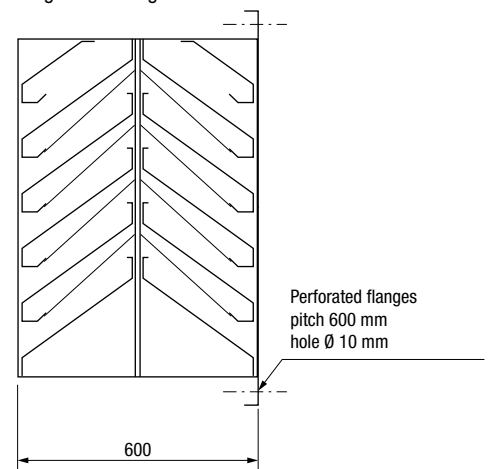
### ACOUSTICAL PERFORMANCE SOUND REDUCTION INDEX

Model	Octaves [Hz]								R <sub>w</sub> [dB]
	63	125	250	500	1k	2k	4k	8k	
AFO AL 1	5	5	7	12	18	21	16	16	17
AFO AL 2	8	9	12	21	32	34	32	32	25

**AL 1**  
Weight ~ 50 Kg/m<sup>2</sup>



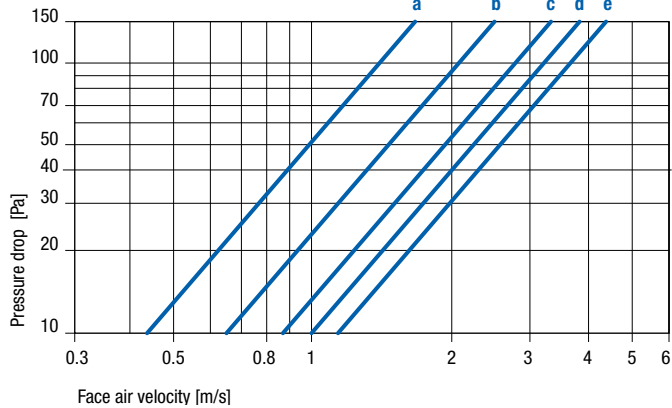
**AL 2**  
Weight ~ 100 Kg/m<sup>2</sup>



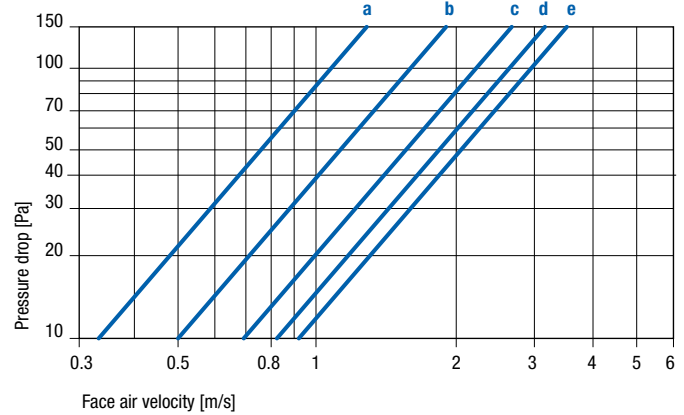
# AFO AL1 / AFO AL2

## PRESSURE DROPS – INSTALLATION ON AIR INLET DUCT

AL 1



AL 2



### Increase of pressure drops compared to the installation diagram values

Curve	a	b	c	d	e
Height [mm]	450	600	900	1200	2400

Type of installation	AFO AL 1	AFO AL 2
Duct exhaust	10%	5%
Non-duct outlet duct	66%	10%
Non-duct inlet duct	50%	10%

## DIMENSIONS AND PRICES

### AFO-AL1

[mm] W	500	600	700	800	900	1000	1100	1200	1300	1400	1500	1600	1700	1800	1900	2000
H	€	€	€	€	€	€	€	€	€	€	€	€	€	€	€	€
450																
600																
750																
900																
1050																
1200																
1350																
1500																
1650																
1800																
1950																
2100																
2250																
2400																
2550																

The price for models AFO AL2 is double that of models AFO AL1 of the same size;  
When ordering, specify W x H mm in sequence

	m <sup>2</sup> / €
pest control wire mesh	

# Customized solutions with barrier **AFO acoustic grilles**

AFO AL1 Acoustic Grilles

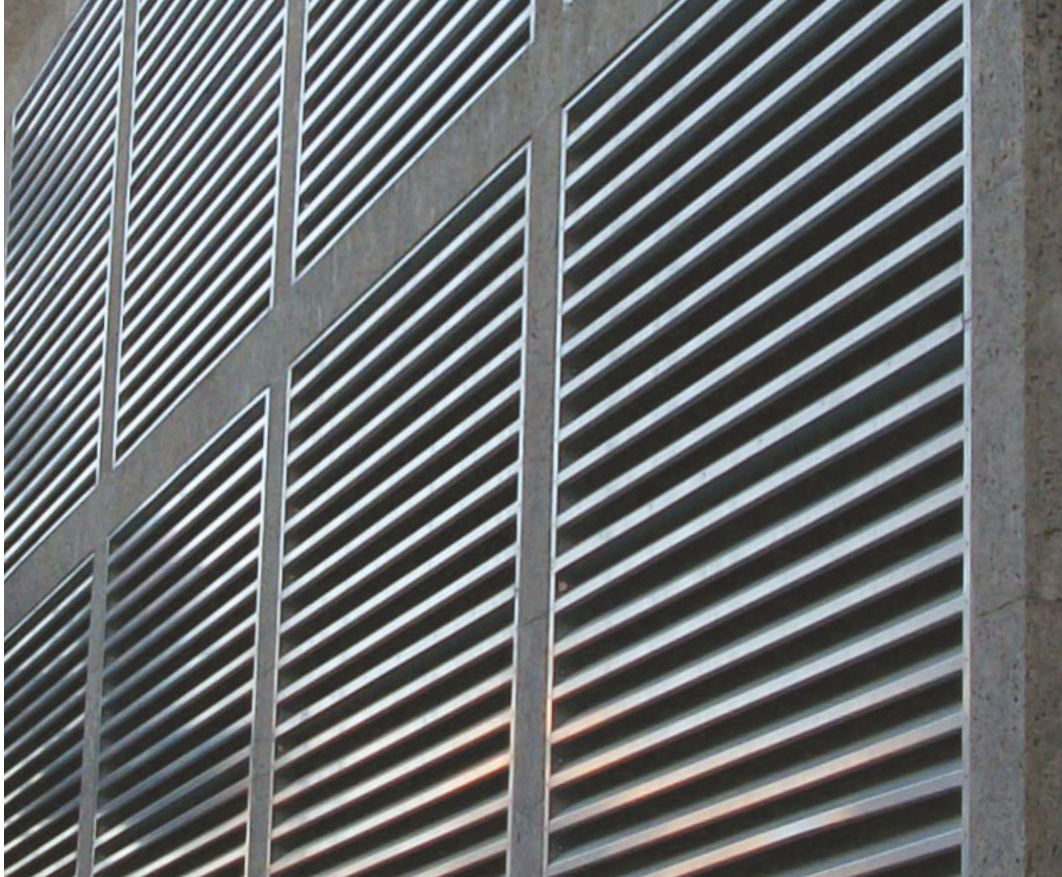


AFO AL1 Acoustic Grilles



# Customized solutions with wall-mounted **AFO acoustic grilles**

AFO AL1 Acoustic Grilles



AFO AL2 Acoustic Grilles