

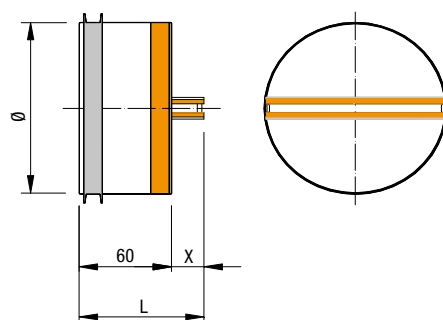
HTEFSC



Cartridges to install in circular duct with closing mechanism operated by fuse calibrated to 72°C.

MATERIAL AND FINISH

- Frame in galvanized steel with sealing gasket.
- Blade in calcium silicate with silicone gasket to seal off cold smoke and heat-expanding intumescent gasket for hot sealing.

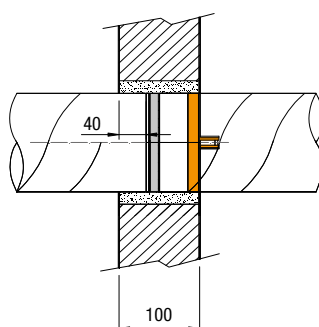


DIMENSIONS AND PRICES

DN	Dimensions [mm]			HTEFSC €
	Ø	X	L	
100	98,5	20	80	
125	123,5	33	93	
160	158,5	51	111	
200	200	71	131	

ASSEMBLY

IN MASONRY OR CONCRETE



IN LIGHT WALL IN PLASTERBOARD

