

SCF S



Dampers complete with CE product certification according to UNI EN 12101-8:2011.

Pursuant to European Regulation 305/2011.

Classified pursuant to chapter 7.3 of UNI EN 13501-4 + A1:2009.

$E_{600} 120 (s_e e \rightarrow o)$ 1,500 C_{10,000} AA Single

Control dampers for smoke and heat evacuation systems into single compartment.

Certified to permitting opening or closing in the case of fire.

MATERIAL AND FINISH

- Casing and multiple blades made in sheet, complete with gaskets for hot and cold smoke with 30 mm flanges to connect with single-compartment ducts
- Size range W = from 200 to 1250 (pitch 50mm), H = from 200 to 1000 (pitch 50mm)

APPLICATION

- Smoke and heat evacuation systems with single compartment systems
- Integrity with smoke for 120 minutes
- Use of damper on horizontal single-compartment smoke control ducts
- Combined smoke and environmental control systems

- Automatic enabling by servo motor that can be started by electric signal coming from the remote control system
- Both forced and natural systems

FASTENING

The damper is connected to the ducts for smoke extraction by single compartment using a 30-mm flange profile, screws and bolts

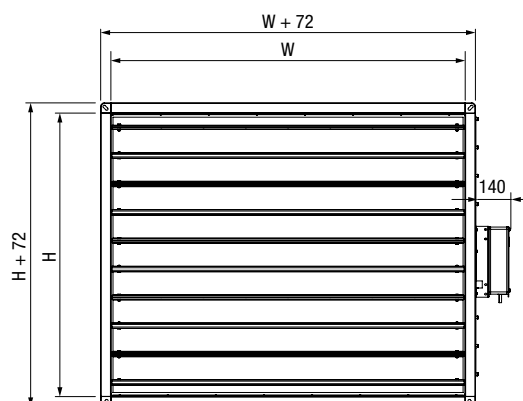
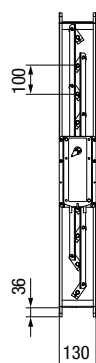
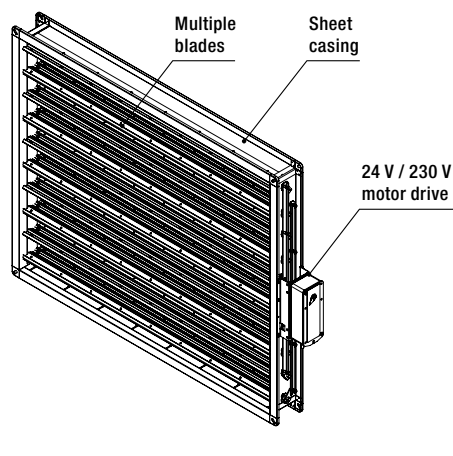
VERSIONS

- Equipped only with Belimo electric motor drives. The ON/OFF control signal comes from a switched command (contacts 1, 2, 3 - 230 V ac and 24 V ac/dc). The actuator is protected from overload and remains powered even when the end stops are reached.

SIZE RANGE

W = from 200 to 1250 (pitch 50mm),

H = from 200 to 1000 (pitch 50mm)



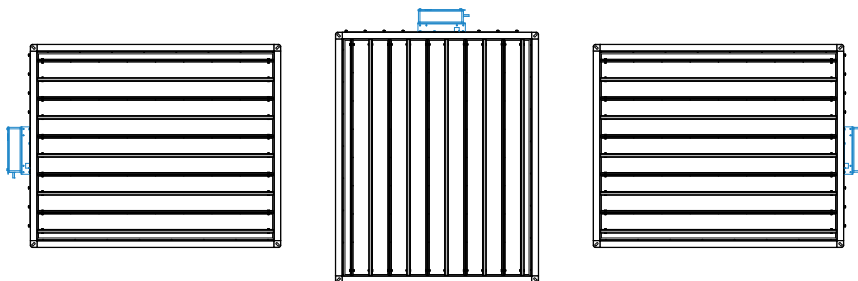
SCF S

INSTALLATION

In duct: placed along the line or on the wall of the same duct.

The damper is connected to the ducts for smoke extraction by single compartment using a 30-mm flange profile, screws and bolts.

The distance of installation of the damper from other building elements, obstructions and system components must be such as to permit the assembly, operation and maintenance of the same damper.



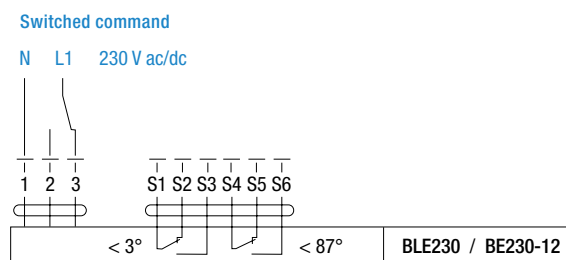
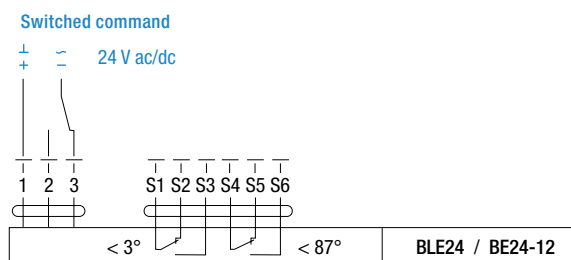
WIRING

The SCF S dampers are supplied with the electric actuator BELIMO only.

The ON/OFF control signal comes from a switched command (contacts 1, 2, 3 - power supply 230 V ac and 24 V ac/dc). The actuator is protected from overload and remains powered even when the end stops are reached.

Two auxiliary contacts at fixed tripping point incorporated in the actuator provide remote signalling of the final damper positions (contacts S1, S2, S3, S4, S5, S6).

The damper position is indicated by a position indicator on the actuator.



INTEGRATION WITH SUPERVISION SYSTEMS

Belimo motor drives installed as standard on the dampers can be integrated with range modules that allow the control, handling and signalling of the component's status.

Possibility of logic communication through Modbus, BACnet protocol, interfaceable with the command and control panels of the line or able to operate independently through a signal coming directly from the detection system.