

# HTE2.0



The HTE 2.0 damper is used near the crossing point of fire-fighting compartments to ensure perfect continuity of the fire resistance characteristics and to prevent smoke and flames from propagating through the aeraulic circuits. Available only in galvanized steel with Belimo or Siemens electric actuator.

### MATERIAL AND FINISH

- Frame in galvanized steel, 36-mm flanges.
- Asymmetric casing 300 mm deep with multi-hole dissipative guard that makes it easier for the mortar/wool and pre-hole in masonry to adhere to each other.
- Blade in calcium silicate with silicone gasket

to seal off cold smoke and heat-expanding intumescent gasket for hot sealing.

- Galvanized steel pins with control pin misaligned with that of the shutter.

### APPLICATION

The damper is designed to prevent the propagation of flames and smoke in air ventilation and conditioning systems for civil plants.

### VERSION

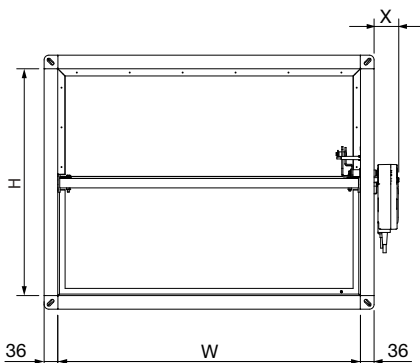
- Damper HTE2.0 con electric actuator
  - F1 - F3 Belimo BFL 24 V - 230 V motor
  - C6 - C8 Belimo BFN 24 V - 230 V motor
  - S1 - S2 Siemens GRA 24 V - 230 V motor

Support	Classification at 500 Pa			
	EI 90 S	EI 120 S	EI 180 S	EI 240 S
Rigid wall in foamed concrete/masonry min 100 mm thick, min density 500 kg/m <sup>3</sup>	(ve i-o)	(ve i-o)	-	-
Light wall in plasterboard, min 100 mm thick	(ve i-o)	(ve i-o)	-	-
Floor in foamed concrete, min 150 mm thick, min density 650 kg/m <sup>3</sup>	(ho i-o)	(ho i-o)	(ho i-o)	(ho i-o)

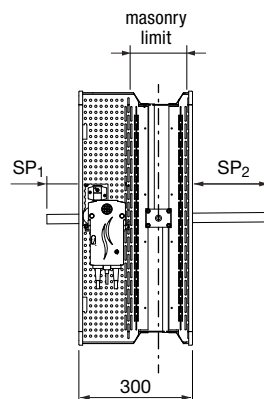
H	Blade overhang [mm]	
	SP1	SP2
200	0	5
250	0	30
300	0	55
350	0	80
400	0	105
450	10	130
500	35	155
550	60	180
600	85	205

Electric actuator	Model	Description	24 V	230 V
			Versions	
BELIMO	BFL-T	Engine torque min 4 Nm / < 60s Spring torque min 3 Nm / 20s	F1	F3
	BFN-T	Engine torque min 9 Nm / < 60s Spring torque min 7 Nm / 20s	C6	C8
SIEMENS	GRA	Engine torque min 4 Nm / < 90s Spring torque min 4 Nm / 15s	S1	S2

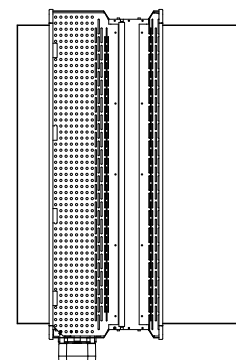
Front view



Side view



Top view



SP1 = Blade overhang on motor side  
SP2 = Blade overhang on side opposite motor

# HTE2.0

## DIMENSIONS AND PRICES

Versions **F1 - C6** (Electric actuator BELIMO 24 V mod. BFL24T - BFN24T)

[mm] W	100	150	200	250	300	350	400	450	500	550	600	650	700	750	800
H	€	€	€	€	€	€	€	€	€	€	€	€	€	€	€
200			•	•	•		•		•						
250															
300					•		•					•			
350															
400															
450															
500															
550															
600															

• Product ready in stock

F1 BFL24T

C6 BFN24T

Versions **F3 - C8** (Electric actuator BELIMO 230 V mod. BFL230T - BFN230T)

[mm] W	100	150	200	250	300	350	400	450	500	550	600	650	700	750	800
H	€	€	€	€	€	€	€	€	€	€	€	€	€	€	€
200															
250															
300															
350															
400															
450															
500															
550															
600															

F3 BFL230T

C8 BFN230T

Version **S1** (Electric actuator SIEMENS 24 V mod. GRA126.1E/T10)

[mm] W	100	150	200	250	300	350	400	450	500	550	600	650	700	750	800
H	€	€	€	€	€	€	€	€	€	€	€	€	€	€	€
200															
250															
300															
350															
400															
450															
500															
550															
600															

Version **S2** (Electric actuator SIEMENS 230 V mod. GRA326.1E/T10)

[mm] W	100	150	200	250	300	350	400	450	500	550	600	650	700	750	800
H	€	€	€	€	€	€	€	€	€	€	€	€	€	€	€
200															
250															
300															
350															
400															
450															
500															
550															
600															