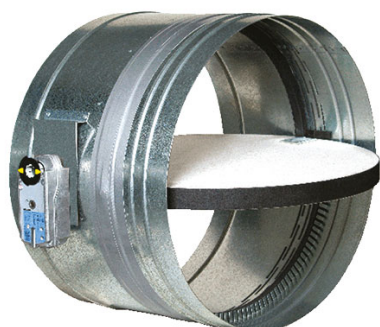


# HTE400CP



Circular damper for wall-mounting, EI-120S certified. Release/manual reset or with electric actuator. Closing takes place through fuse calibrated to 72°C.

#### MATERIAL AND FINISH

- **Frame** in galvanized steel.
- **Blade** in calcium silicate with silicone gasket to seal off cold smoke and heat-expanding intumescent gasket for hot sealing.

#### VERSIONI

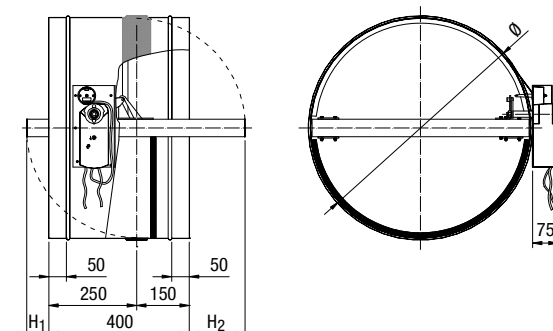
- HTE400CP circular damper with manual control
  - M1 with manual control, without microswitches
  - M3 with manual control, with two microswitches
- HTE400CP circular damper with servo motor with limit switches, closing in 15 seconds
  - S1 with 24 V electric actuator
  - S2 with 230 V electric actuator

#### DIMENSIONS AND PRICES

DN	Dimensions [mm]			HTE400CP M1	HTE400CP M3	HTE400CP S1	HTE400CP S2
	∅	H <sub>1</sub>	H <sub>2</sub>	€	€	€	€
355	353	-	25				
400	398	-	50				
500	498	-	100				
630	628	60	160				

#### HTE400 CP-S\*

\*S1: Siemens 24V actuator  
S2: Siemens 230V actuator



#### HTE400 CP-M\*\*

\*\* M1: Manual, without microswitches  
M3: Manual with two microswitches

