

AF251R



AF251R series circular intake or exhaust grilles with fixed blades inclined 45° with special rainproof, complete with bird net.

MATERIAL AND FINISH

- Frame and blades in painted aluminum, white RAL 9010.

APPLICATION

Suitable for external air intake or for stale air exhaust.

Also suitable for installation as air inlet grille in the room.

FASTENING

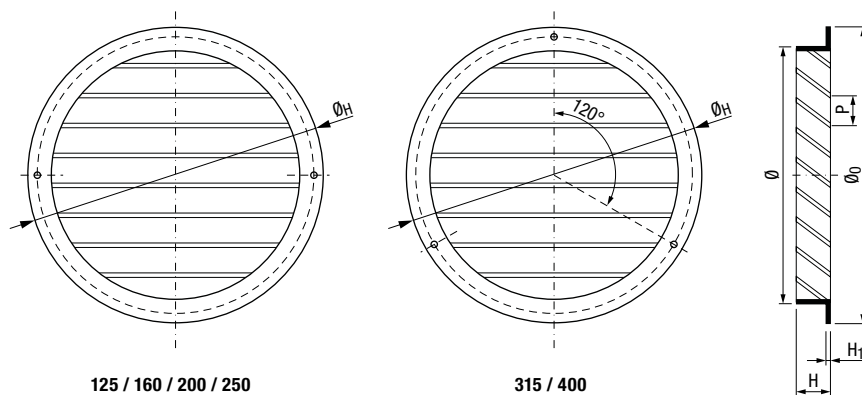
With visible screws on the frame.

PRICES

Model	AF251R
125	•
160	•
200	•
250	•
315	•
400	

- Products in stock

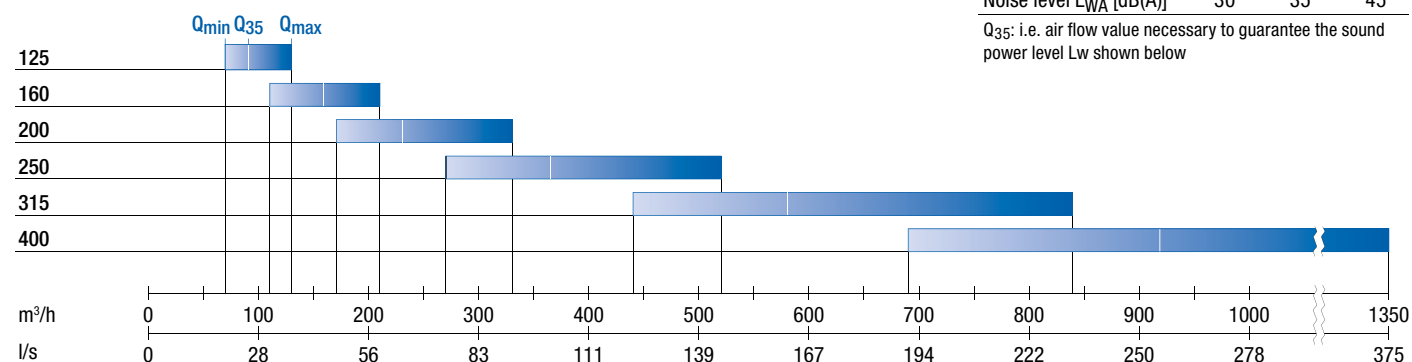
DIMENSIONS



Mod.	Dimensioni [mm]					
	Ø ₀	Ø	Ø _H	H	H ₁	P
125	155	124	139,5	25	3	20
160	190	159	174,5	25	3	20
200	230	199	214,5	25	3	20
250	280	248	264	28	3	20
315	350	314	332	20	3	20
400	440	399	419,5	25	7	25

HOLES $\emptyset = 4$ mm

QUICK SELECTION



	Q _{min}	Q ₃₅	Q _{max}
Pressure drop [Pa]	10	20	50
Noise level L _{WA} [dB(A)]	30	35	45

Q₃₅: i.e. air flow value necessary to guarantee the sound power level L_w shown below