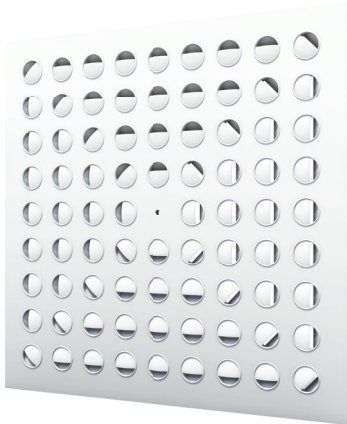


## MSS



The MSS series supply diffuser features a number of plugged adjustable nozzles that guarantee air distribution with an effective mixture and a good degree of induction. The elements are singularly adjustable and allow a customized control of the air inlet and of the air throw direction.

**MATERIAL AND FINISH**

- Diffuser plate in painted steel, white RAL 9010
- Diffusion elements in ABS, white RAL 9010
- Pyramid plenum in galvanized steel sheet.

**APPLICATION**

- Suitable for installation height between 2.7 and 4 m
- summer  $\Delta T$  up to -10 K and winter up to +15 K.

**FASTENING**

Diffuser connected to the plenum by central screw. Plenum fastened to the ceiling by hanging.

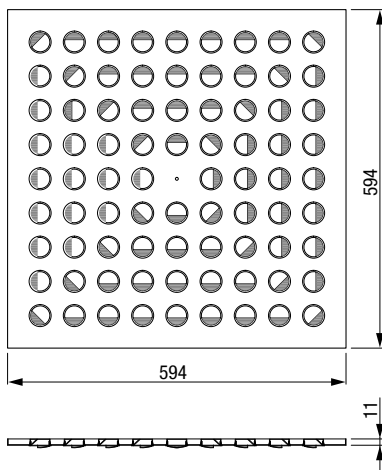
**VERSIONS**

- MSS80 with 80 plugged adjustable nozzles
- MSS100 with 100 plugged adjustable nozzles.

**ACCESSORIES**

Pyramid plenum in the versions:

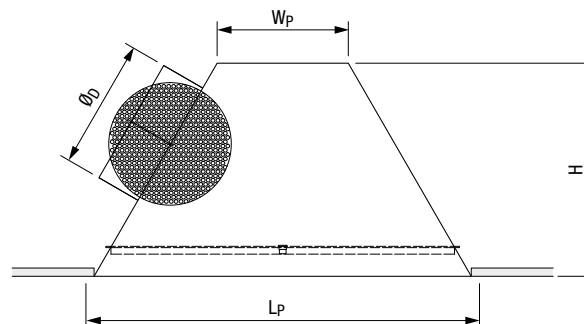
- WP101P plenum with regulating damper, without insulation
- WP101PG plenum with regulating damper and internal insulation in melamin with th. 6 mm. **Fire reaction M1 (NFP92-507), V-0 (UL94).**

**PRICES**

Model	MSS	Accessories	
		WP101P	WP101PG
80			
100			

**ACCESSORIES**

Model	Dimensions [mm]			
	$\varnothing_D$	$L_P$	$W_P$	H
80	250	580	300	365
100	250	580	300	365

**WP101**

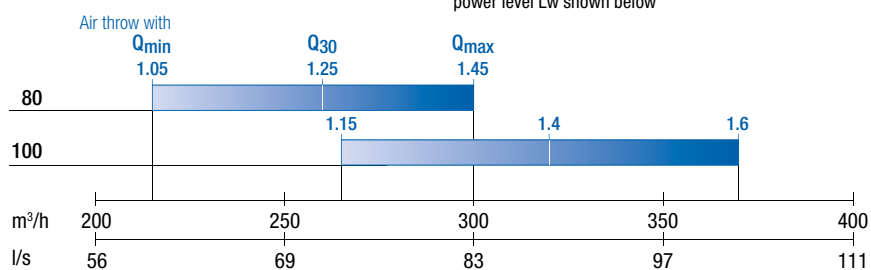
Plenum with regulating damper

# MSS

## QUICK SELECTION

	$Q_{min}$	$Q_{30}$	$Q_{max}$
Pressure drop [Pa]	<10	<10	15
Noise level $L_{WA}$ dB(A)	25	30	35

$Q_{30}$ : i.e. air flow value necessary to guarantee the sound power level  $L_w$  shown below



## PACKING AND ASSEMBLY

