

RLV



The circular RLV ventilation valves, complete with adjustable regulating damper, are suitable for supply and return and can be wall or ceiling mounted.

They are available in different geometries and finishes for the front plate. Installation is quick and easy.

APPLICATION

Ventilation valves for residential sector

FASTENING

- RLV A clips fixing
- RLV B fixing with ring

MATERIAL AND FINISH

- Back in PP and visible plate in painted aluminum, white RAL 9003
- Upon request painted white RAL 9010, 9016 and grey RAL 7015.
- Finishes available: wood, anodized gold and primer to then be able to paint it like the installation wall.

VERSIONS

- RLV..S small
- RLV..L large
- RLV..Q square

PRICES

Ventilation valve RLV.. complete with plate (S, L or Q)

| Model | RLV..S small | RLV..L large | RLV..Q square |
|-------|-----------------|-----------------|------------------|
|-------|-----------------|-----------------|------------------|

RLV A

RLV B

Front plate only

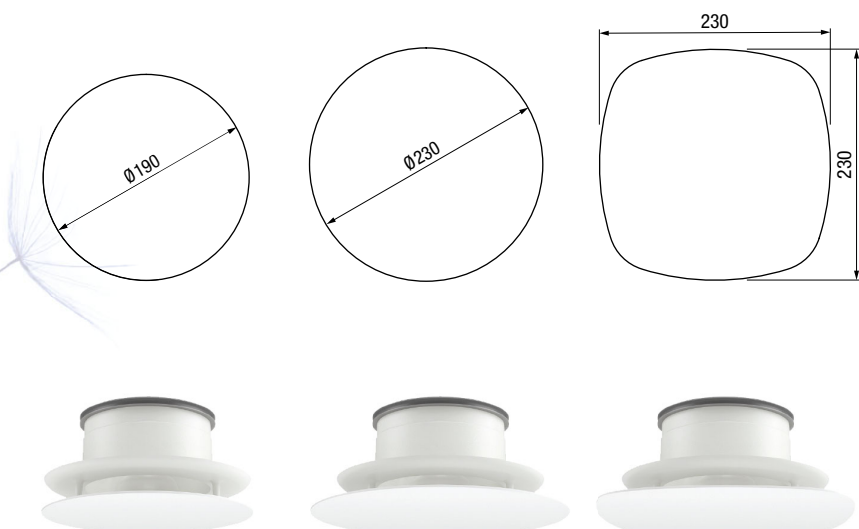
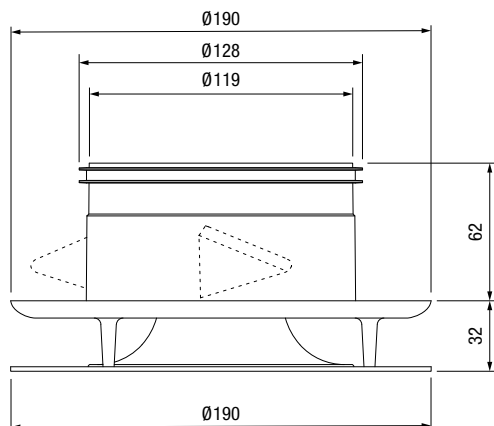
| Model | S small | L large | Q square |
|-------|------------|------------|-------------|
|-------|------------|------------|-------------|

RLV..

Prices valid for RAL 9003, 9010, 9016 finishes
Other finishes (UPON REQUEST)

DIMENSIONS

| S | L | Q |
|--------|--------|--------|
| 190 mm | 230 mm | 230 mm |



RLV

QUICK SELECTION

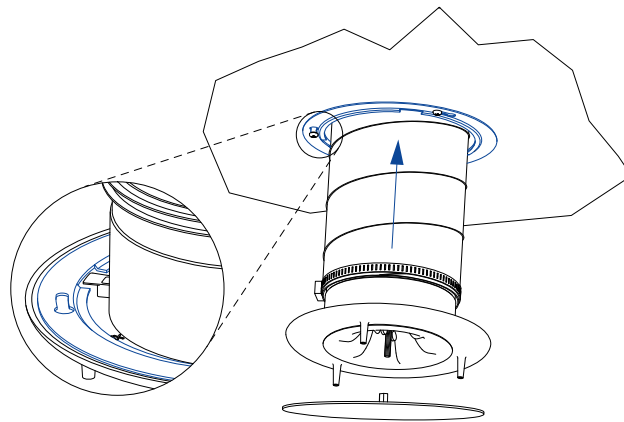
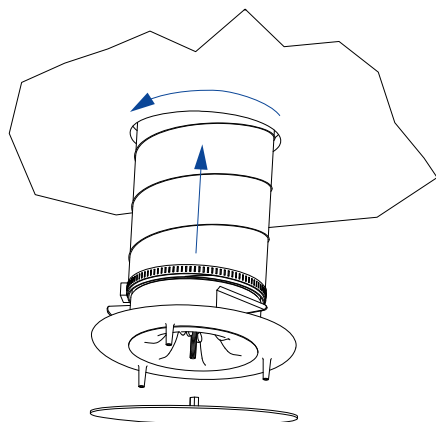
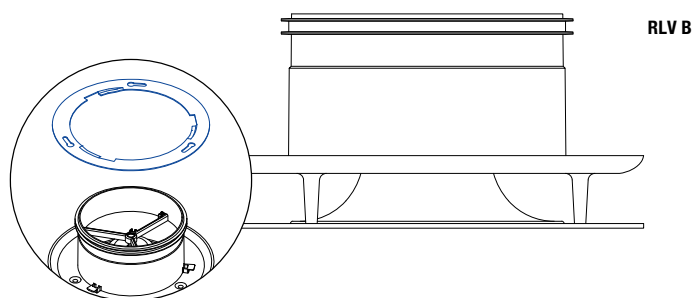
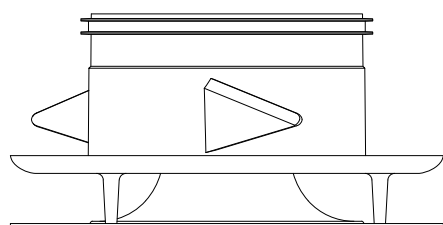
Model RLV SUPPLY with regulating damper open 22 mm

| | | | |
|------------------------------------|----------|----------|----------|
| L _w | 25 dB(A) | 30 dB(A) | 35 dB(A) |
| Q _v [m ³ /h] | 86 | 104 | 125 |

Model RLV RETURN with regulating damper open 22 mm

| | | | |
|------------------------------------|----------|----------|----------|
| L _w | 25 dB(A) | 30 dB(A) | 35 dB(A) |
| Q _v [m ³ /h] | 86 | 102 | 121 |

FASTENING SYSTEM



HOW TO ORDER

| | | | | | | | |
|--------------------------------|----------|----------|-----------------------|----------|----------|----------|--|
| RLV | A | S | 0 | 1 | 2 | 5 | RAL 9010 |
| VALVE + FRONT PLATE | | | Ø NOMINAL [mm] | | | | FINISH RAL 9010 RAL 9003 fine texture RAL 9016 matt RAL 7015 matt ANODIZED GOLD PRIMER WOOD (only for version Q) |
| FASTENING SYSTEM | | | | | | | |
| A with clips B with ring | | | | | | | |
| PLATE VERSIONS | | | | | | | |
| S small L large Q square | | | | | | | |