

VMH



The VMH floor diffusers have a swirl element under the aluminum plate assuring a high induction swirl throw; this causes a rapid air flow velocity reduction and a supply temperature close to the room's temperature. The swirl element is adjustable to control the supply air flow.

MATERIAL AND FINISH

- Diffuser in natural aluminum
- Swirl diffuser and regulating damper in painted steel, black RAL 9005.

APPLICATION

Floor or under seat mounting.

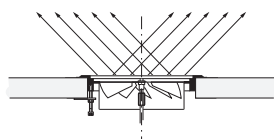
FASTENING

Using screws and brackets provided (non-visible fastening)

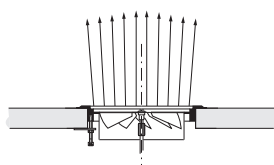
PRICES

Model	VMH
150	
200	

THROW DIRECTION



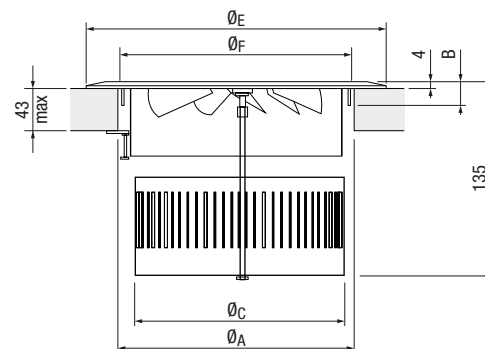
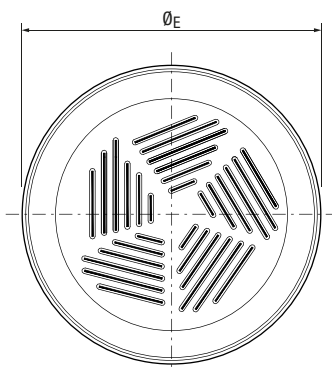
Widespread swirl (horizontal)



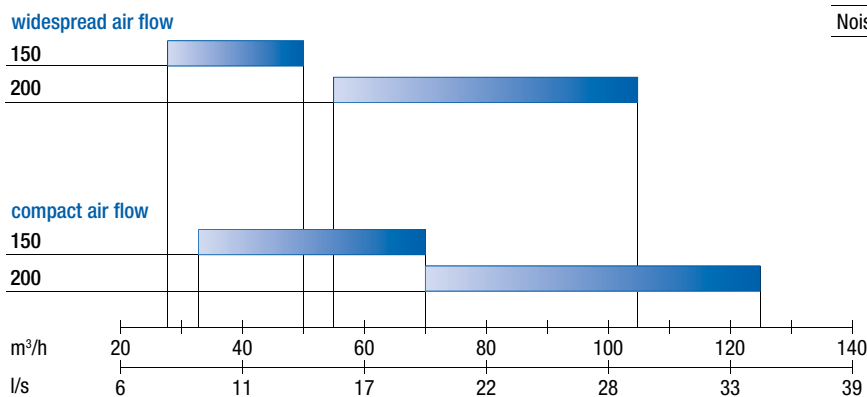
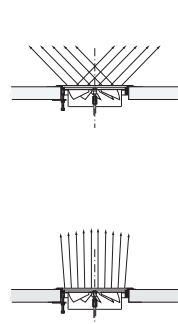
Compact swirl (vertical)

DIMENSIONS

Model	Dimensions [mm]				
	\varnothing_A	\varnothing_E	\varnothing_F	\varnothing_C	B
150	150	190	140	132	19
200	200	240	190	182	19



QUICK SELECTION



	Q_{min}	Q_{max}
Pressure drop [Pa]	15	30
Noise level L_{WA} [dB(A)]	< 25	30