

DB210 / DB220



DB210 / DB220 return diffusers with perforated panel, used with push/pull opening system for filter maintenance.

MATERIAL AND FINISH

- Diffuser in painted steel, white RAL 9010
- Plenum in galvanized steel sheet
- When required, insulation in chemically reticulate closed cell polyethylene foam with th. 6 mm. **Fire reaction B-s1-d0 according to EN13501-1.**

APPLICATION

- Readily serviceable for filter maintenance with push/pull pressure opening system
- Suitable for installation height starting from 2.7 m.

FASTENING

Diffuser connected to the plenum by screws.
Plenum fastened to the ceiling by hanging.

VERSIONS

- DB210 return with perforated panel with push/pull opening system
- DB220 return with perforated panel with push/pull opening system, complete with panel filter PFT ISO Coarse 50% according to ISO 16890

ACCESSORIES

- BPS-DB plenum with side collar
- BPT-DB plenum with top collar
- BPS/D-DB plenum with side collar and regulating damper
- BPT/D-DB plenum with top collar and regulating damper
- BPSI/D-DB insulated plenum with side collar and regulating damper
- BPTI/D-DB insulated plenum with top collar and regulating damper.

PRICES

Model	DB210	DB220	Accessories					
			BPS-DB	BPT-DB	BPS/D-DB	BPT/D-DB	BPSI/D-DB	BPTI/D-DB
300	•	•			•	•		
400	•	•			•	•		
500	•	•			•	•		
600	•	•			•	•		
600 x 300	•	•						
1200 x 300	•	•						
1200 x 600								

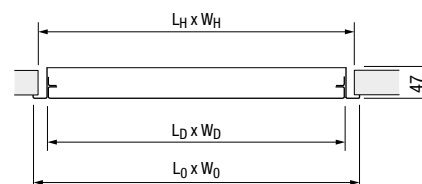
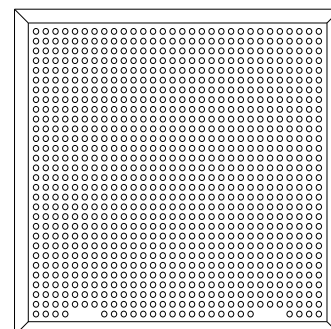
- Products in stock

RAL... Painted in other RAL colours (fixed additional charge 200 € + 50% unit).

QUICK-RELEASE SYSTEM**DIMENSIONS**

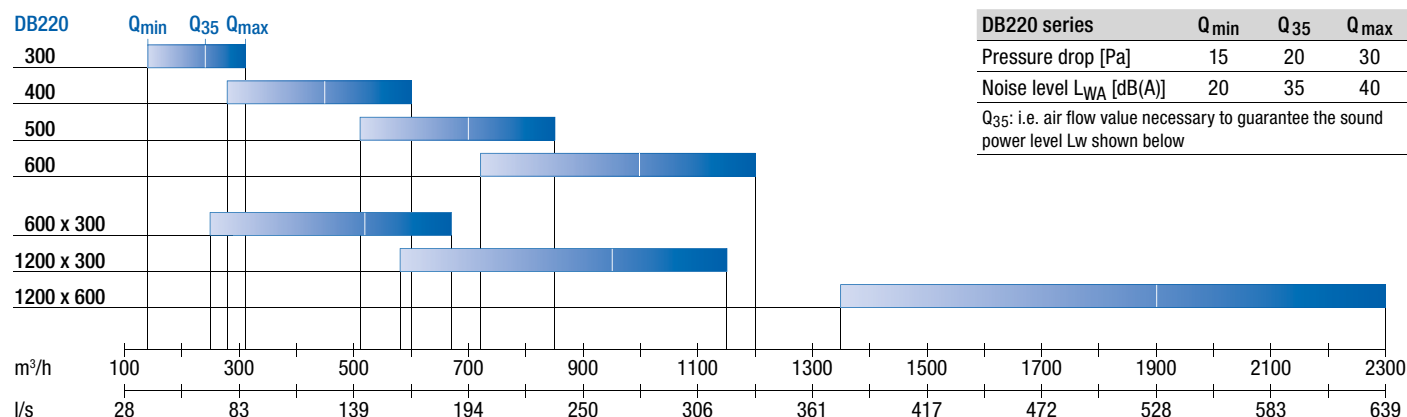
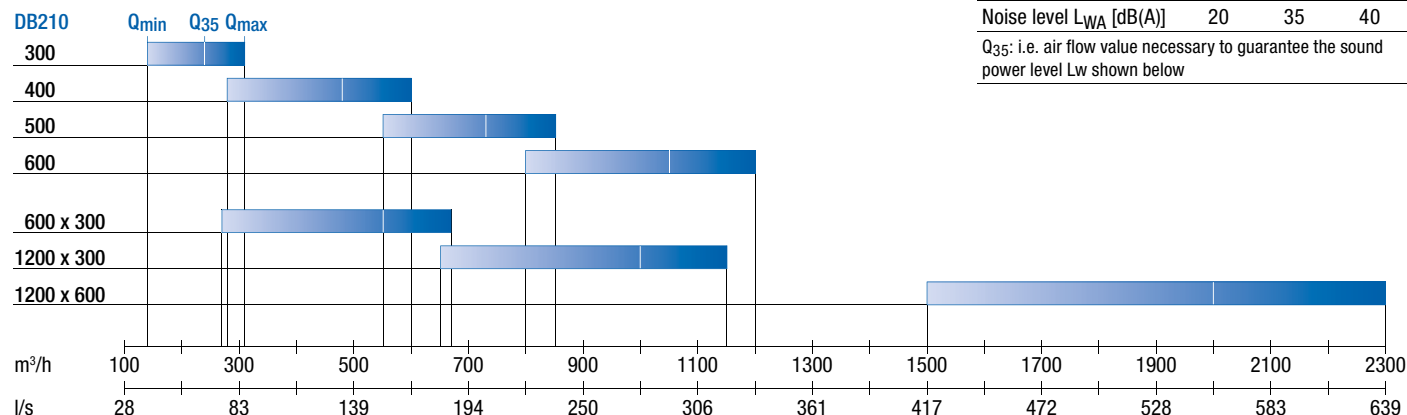
Model	Dimensions [mm]		
	□ W ₀	□ W _H	□ W _D
300	295	275	265
400	395	375	365
500	495	475	465
600	595	575	565

Model	Dimensions [mm]		
	L ₀ x W ₀	L _H x W _H	L _D x W _D
600 x 300	595 x 295	575 x 275	565 x 265
1200 x 300	1195 x 295	1175 x 275	1165 x 265
1200 x 600	1195 x 595	1175 x 575	1165 x 565



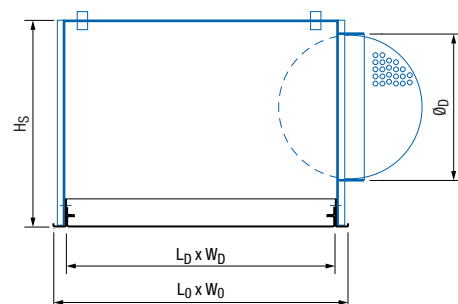
DB210 / DB220

QUICK SELECTION

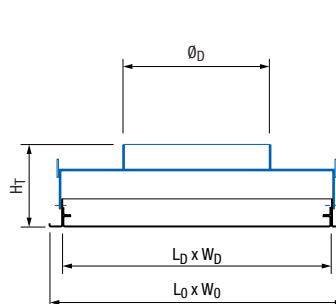


ACCESSORIES

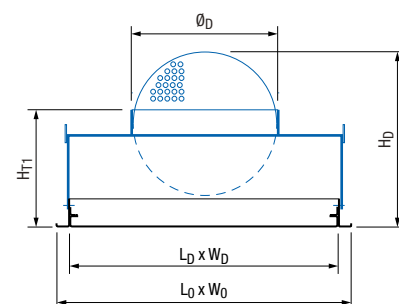
Model	Dimensions [mm]								
	L_0	W_0	L_D	W_D	\varnothing_D	H_S	H_T	H_{T1}	H_D
300	295	295	265	265	123	280	122	130	175
400	395	395	365	365	198	320	122	170	250
500	495	495	465	465	248	370	122	186	295
600	595	595	565	565	313	435	122	220	360
600 x 300	595	295	565	265	198	320	122	170	250
1200 x 300	1195	295	1165	265	2/198	320	122	170	250
1200 x 600	1195	595	1165	565	2/313	135	122	220	360



BPS/D-DB
Plenum with side collar and regulating damper



BPT-DB
Plenum with top collar



BPT/D-DB
Plenum with top collar and regulating damper