

IRIS



The air flow rate in circular ducts can be measured and adjusted with the IRIS regulating dampers. Thanks to the pressure probes, the graduated scale on the control lever and the table affixed to the damper casing, the value of air passing it can be measured in m³/h with a simple gauge and the new value can be set, if necessary.

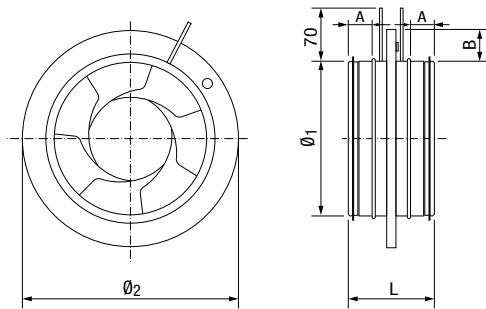
MATERIAL AND FINISH

- Construction in galvanized steel
- Upon request, construction in 316L stainless steel
- External sealing gasket in EPDM
- TRP plastic measurement caps
- Polyacetate regulation mechanisms

APPLICATION

- Suitable for measuring and regulating the air flow
- Operation independent from the flow direction

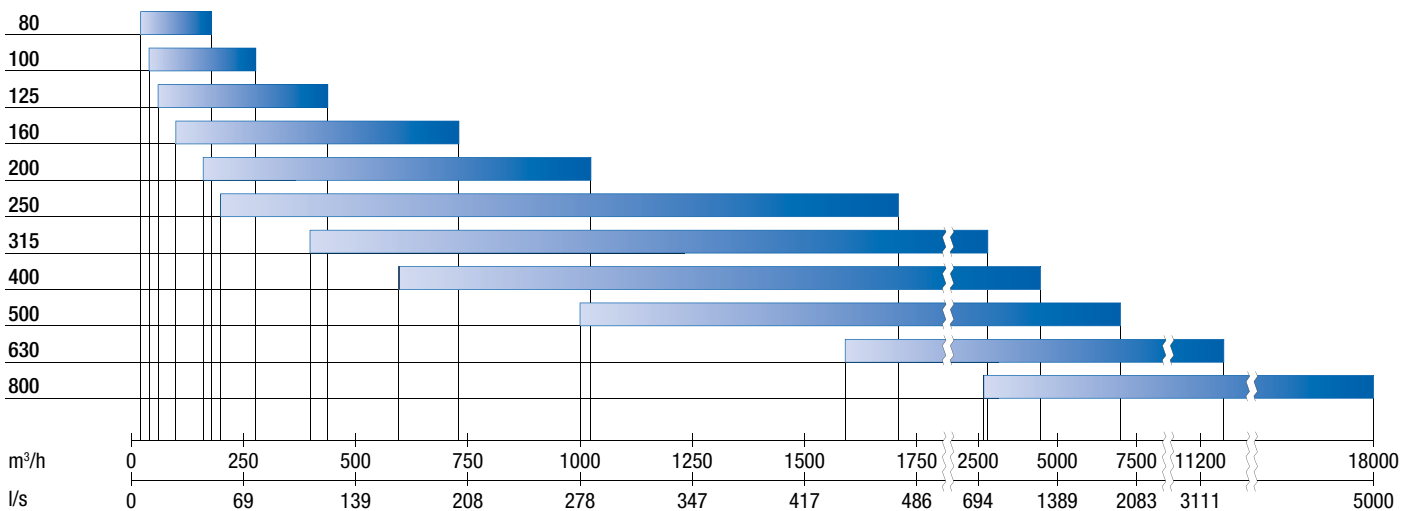
DIMENSIONS AND PRICES



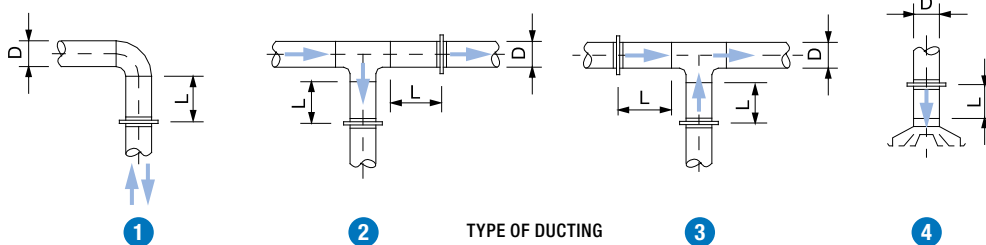
• Products in stock

Ø _n	Dimensions [mm]					IRIS €
	Ø ₁	Ø ₂	L	A	B	
80	79	125	110	30	22	
100	99	165	110	30	32	
125	124	188	110	30	32	•
160	159	230	110	30	35	•
200	199	285	110	42	42	•
250	249	335	135	42	42	•
315	314	410	135	47	47	•
400	398	525	190	62	62	
500	498	655	170	77	77	
630	628	815	170	92	92	
800	798	1015	270	107	107	

QUICK SELECTION



SAFETY DISTANCES ON THE DUCTS



Type	Minimum safety distance at [L] for correct damper reading	
	m ² = ± 7%	m ² = ± 10%
1	≥ 1 D	≥ 1 D
2	≥ 4 D	≥ 2 D
3	≥ 2 D	≥ 2 D
4	≥ 2 D	≥ 2 D