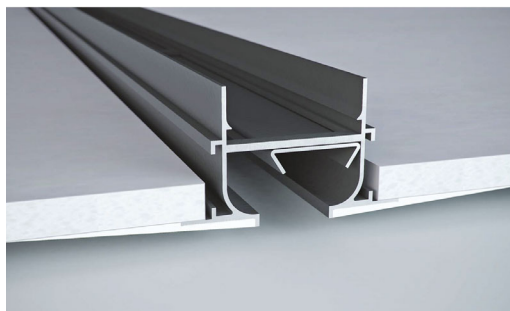


# LG800



The single-slot LG hidden diffusers guarantee an optimum and steady airflow while combining the architectural integration factor with the technical performance. Achieving a continuous line of the diffuser without interrupting the aesthetic continuity with active and inactive parts is simple.

#### MATERIAL AND FINISH

- Diffuser in painted steel, black RAL9005
- Deflector in painted steel, black RAL9005
- Plenum in galvanized steel sheet e, upon request, with regulating damper and plenum insulated in chemically reticulate closed cell polyethylene foam th. 6 mm. **Fire reaction B S1 d0 according to EN13501-1.**

#### APPLICATION

- Ceiling assembly trimmed flush with the plaster to leave just the slot visible
- Suitable for VAV systems with a 60% reduction, also for CAV systems
- Installation height between 2.6 and 4m
- Temperature difference in summer up to -12K.

#### FASTENING

Diffuser again connected to the plenum. Diffuser and plenum hung from ceiling. Ceiling assembly trimmed flush with the plaster to leave just the slot visible.

#### VERSIONI

- LG820 with 20mm slot complete with plenum
- LG830 with 30mm slot complete with plenum
- LG840 with 40mm slot complete with plenum
- LG... ID diffuser with insulated plenum and regulating damper
- LG... FO false diffuser
- LG... AO corner diffuser
- LG... OD diffuser not insulated with regulating damper
- LG... IO diffuser with insulated plenum
- From 500 to 2000mm in single element
- Over 2000 mm by connecting multiple diffusers in series joined with connection pins.

#### PRICES

Length [mm]	SLOT 20mm		SLOT 30mm		SLOT 40mm	
	LG820M ID €	LG820M FO €	LG830M ID €	LG830M FO €	LG840M ID €	LG840M FO €
1000	•	•	•	•	•	•
1100						
1200						
1300						
1400						
1500	•	•	•	•	•	•
1600						
1700						
1800						
1900						
2000						

- Products in stock

The price of the length 1000mm is also valid for the smaller sizes

#### CORNER DIFFUSERS

LG820 AO	LG830 AO	LG840 AO
€	€	€

#### TERMINALS

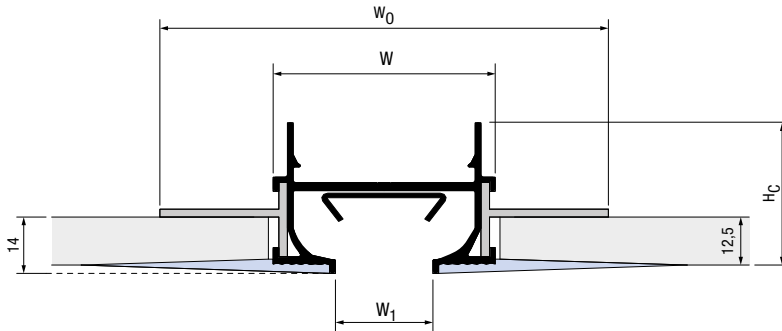
SLOT [mm]		
20	30	40
€	€	€
•	•	•

- Products in stock

The prices shown refer to diffusers complete with insulated plenum and regulating damper

# LG800

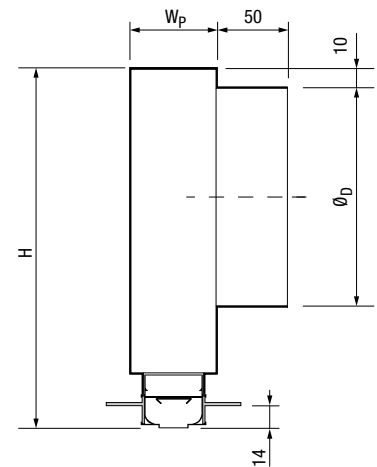
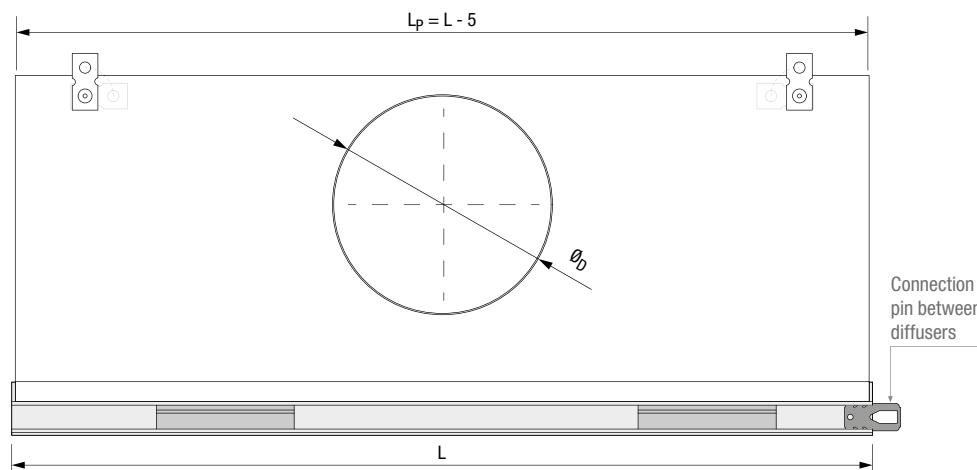
## DIMENSIONS



Model	Dimensions [mm]			
	$W_1$	$W$	$H_c$	$W_0$
LG820	20	47	36,7	94,3
LG830	30	76	43,7	123,5
LG840	40	86	43,7	133,5

Model	Dimensions [mm]										
	L = 500 mm		L ≤ 1000 mm		L ≤ 1200 mm		L ≤ 1500 mm		L ≤ 2000 mm		$W_p$
	H	$\varnothing_D$	H	$\varnothing_D$	H	$\varnothing_D$	H	$\varnothing_D$	H	$\varnothing_D$	
LG820	256	1/158	256	1/158	256	1/158	256	1/158	256	2/158	63
LG830	256	1/158	256	1/158	256	1/158	256	1/158	256	2/158	92
LG840	256	1/158	296	1/198	296	1/198	296	2/198	296	2/198	102

## Model M



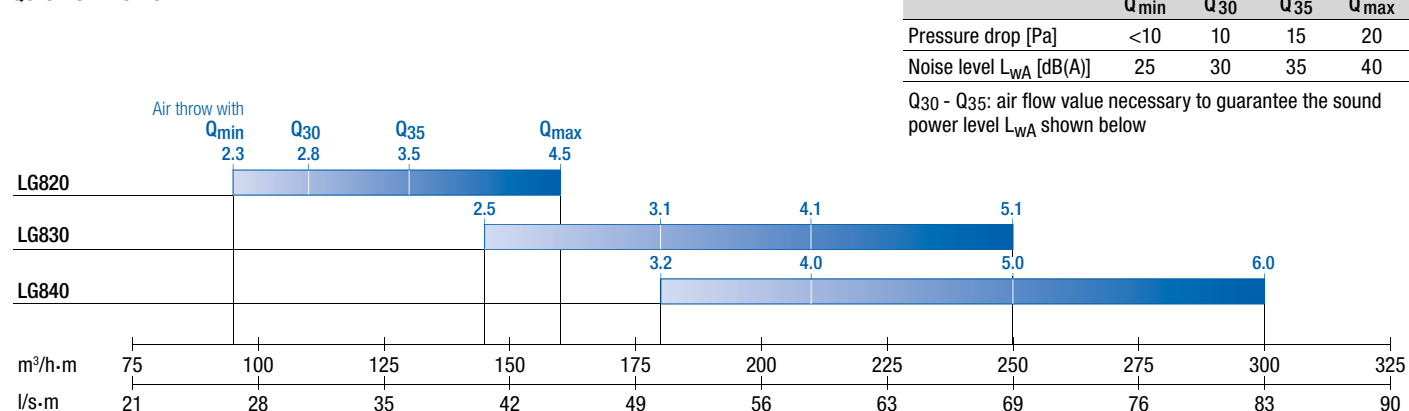
SX or DX model  $L_{SX/DX} = L + 2,5\text{mm}$   
 Complete model  $L_c = L + 5\text{mm}$

For the model with double connection, the inlets are evenly distributed along the length.

- For left model (SX), install 1 terminal
- For right model (DX), remove the connection pins to install 1 terminal
- For complete model, remove the connection pins to install 2 terminals

# LG800

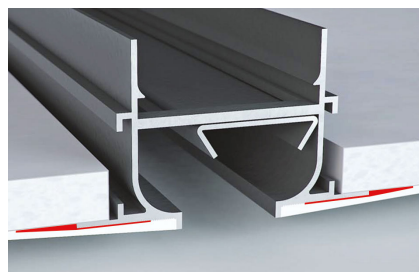
## QUICK SELECTION



## INSTALLATION

### Plaster finish

Protect with anti-cracking tape and finish with stucco, covering the frame.

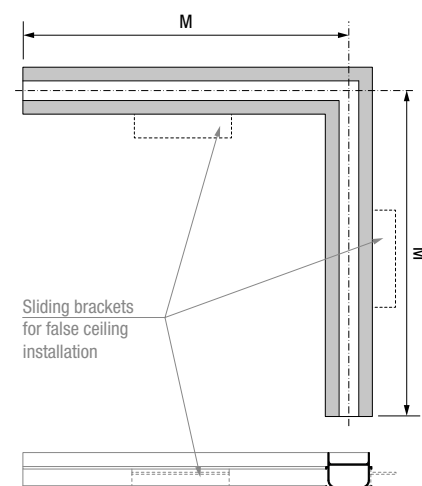


## ACCESSORIES

### LG... AO

False corner diffuser

Model	Dimensions [mm]
	M
LG820AO	332
LG830AO	348
LG840AO	353



## HOW TO ORDER

### SLOT WIDTH

- 2 20mm
- 3 30mm
- 4 40mm

### CONSTRUCTION

- M intermediate diffuser
- SX diffuser with left terminal
- DX diffuser with right terminal
- diffuser complete with terminals
- ID diffuser with insulated plenum and regulating damper
- FO false diffuser
- AO corner diffuser
- OD diffuser with regulating damper
- IO diffuser with insulated plenum

LG 8 2 0 - -