

S-CFD S-LFD S-MFD

Fire and Gas-Fire Dampers
SOLAS A0-A60



ASSEMBLY INSTALLATION AND MAINTENANCE MANUAL



The procedure listed into this manual should be carried out by qualified personnel and we recommend to use relevant individual protection devices as advised by the local legislation.

SagiCofim



Installation

Bulkhead and Deck

All installations shall be carried out in accordance with SOLAS II-2/9.7.3

The installation procedures are based on the way the test samples have been tested, classified, type-approved and certified as SOLAS A0 without insulation or A60 with proper insulation. All tests have been performed in accordance to the International Code for Application of Fire Test Procedures (2010 FTP Code), in force at the time of the certification.

Bulkheads and Decks have to be class “A” according to 2010 FTP Code Annex 1, part 3, Appendix 1. In particular, dimensions, thickness, stiffness, spacing, dampers spacing, have to be compliant and suitable to class A bulkheads and decks.

Coamings, the thick wall of air ducts which extend from the bulkhead or from the deck, shall be in accordance with SOLAS requirements.

- The damper shall be bolted to the coaming by means of bolts and nuts. For ease of installation, socket screws M10x25 are suggested
- Bolt tightening torque = 40Nm (acc. to suggested screws)
- Insert a bio-soluble fiber paper gaskets 20x5mm between damper and coaming flanges
- The damper shall be installed on a certified A0-A60 Bulkhead or Deck
- The coaming thickness shall be at least 5mm, acc. to SOLAS requirements (2010 FTP Code Annex 1, Part 3, Appendix 2)
- Only for A60 the insulation shall be 60mm thick at least and the insulating material shall have a density of 100kg/m³ and shall be a rockwool insulating material. We recommend the use of Rockwool SEAROX SL620.

MINIMUM TOTAL LENGTH

S-CFD

Frame L	Coaming Lc	Coaming insulation Li
	A0	A60
220	615	940

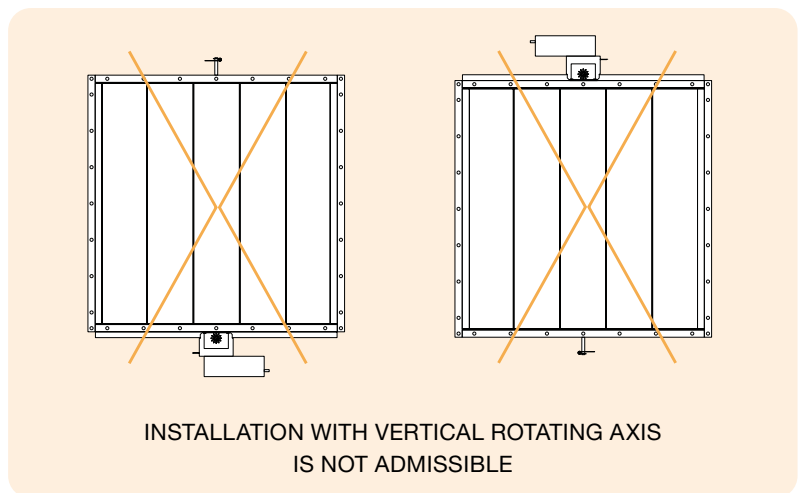
S-LFD

Frame L	Coaming Lc	Coaming insulation Li
	A0	A60
220	615	940
300	575	900

S-MFD

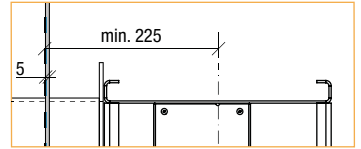
Frame L	Coaming Lc	Coaming insulation Li	
		A60	
		H≤1000mm	H>1000mm
300	575	900	1200

All indicated measures are in millimetres



Picture only for illustration purposes

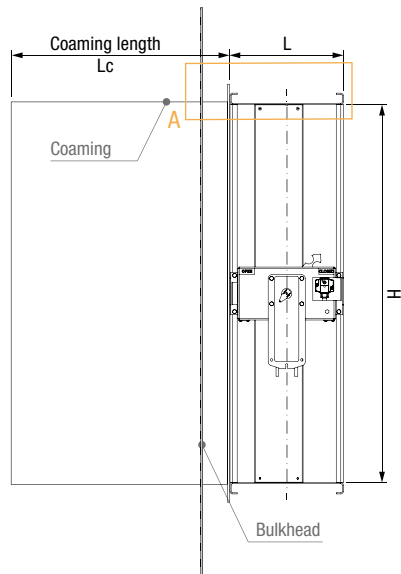
Installation



Detail A

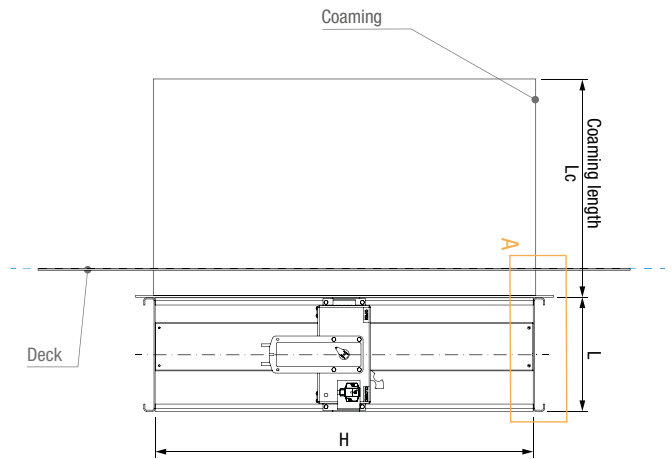
BULKHEAD

A0

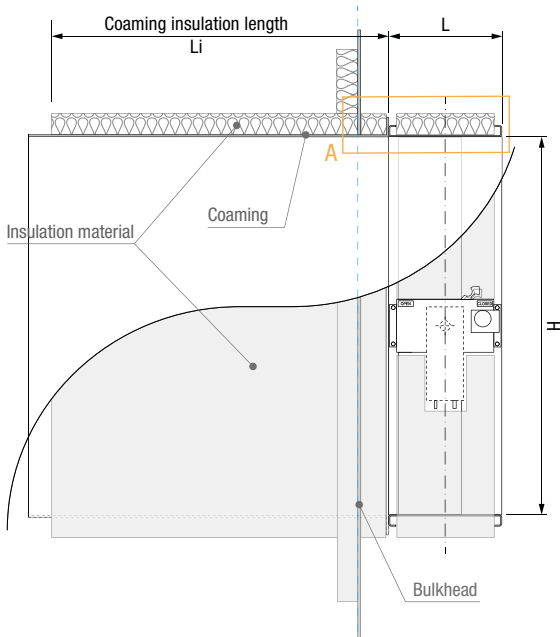


DECK

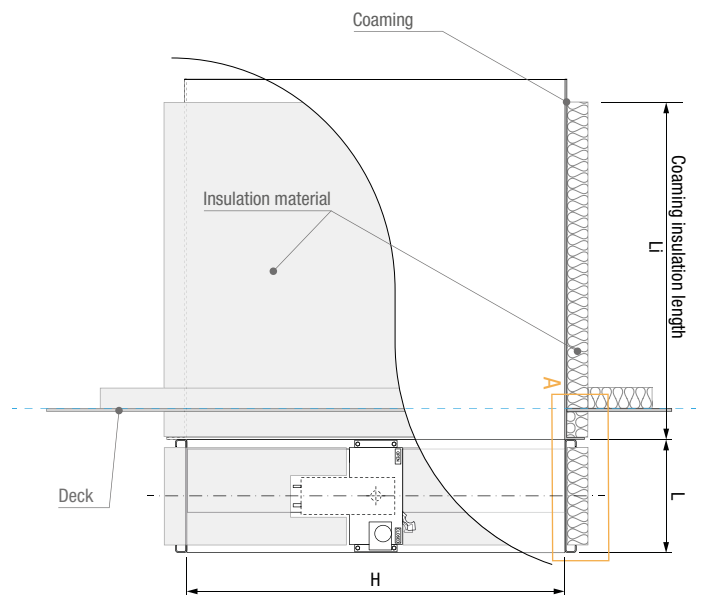
A0



A60



A60



Maintenance

Prior to any intervention on the product use the necessary and required Personal Protection Equipment (PPE) and then switch off the power supply to the command systems (actuator).

- Use NON-acid and NON-abrasive liquids or substances for cleaning (for example Arexons Fulcron)
- Do not paint levers or shaft
- Bushes are self lubricating. Do not use lubricant
- If needed, for levers use spray lubricant and not paste lubricants or grease
- Periodically, every 6 months, check the damper movement by making the actuator execute one full open-close cycle; remove solid residue in the bushes-shafts gaps.

SagiCofim S.p.A. Single Member Company

subject to the management and coordination of SYSTEMAIR AKTIEBOLAG

via Firenze 1
20063 Cernusco sul Naviglio
Milan Italy
T. +39 02 92 902 1
info@sagicofim.com

www.sagicofim.com

Member of CISQ Federation



CERTIFIED MANAGEMENT SYSTEM
ISO 9001 - ISO 14001

SagiCofim reserves the right to make amendments or changes to the contents of this document at any time without any obligation to provide notice thereof.